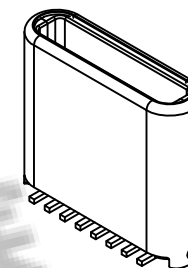
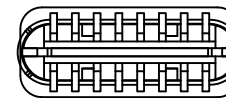
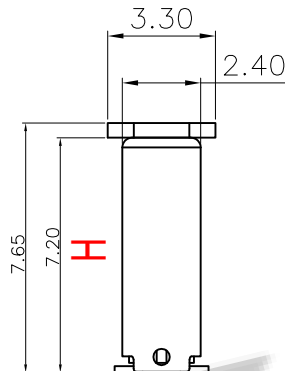
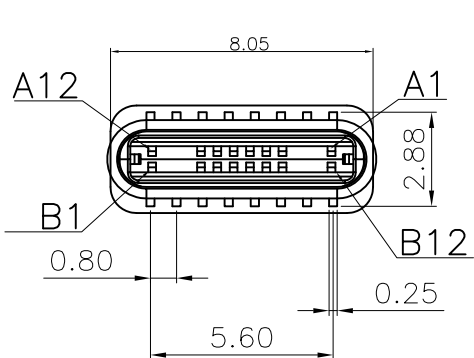
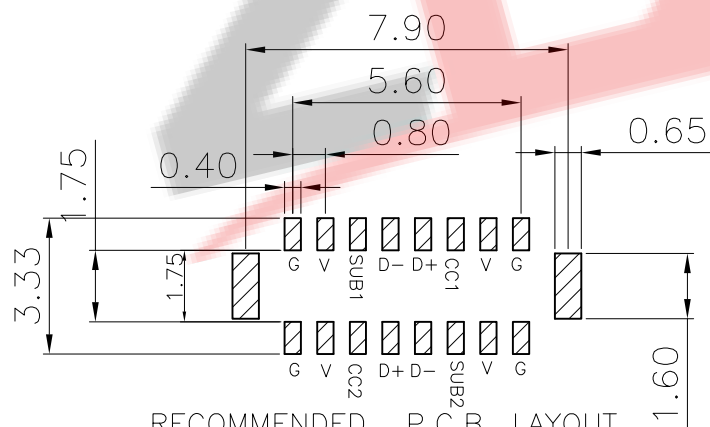


$H = \text{MM}$			
5.70	7.20	8.65	

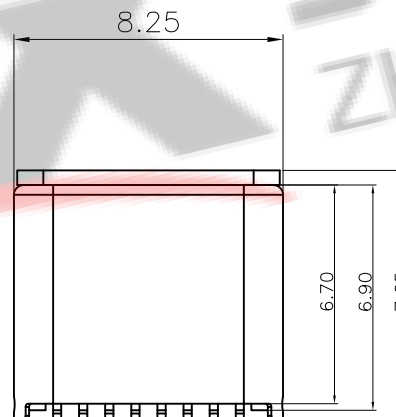


NOTE :
TC01MA016SX01XR

1. Seletive Plating
- S1:5u" Gold In Contact Area
 - 100u" Tin In Tail Area
 - S2:0.8u" Gold In Contact Area
 - 100u" Tin In Tail Area
 - S3:10u" Gold In Contact Area
 - 100u" Tin In Tail Area
 - S4:15u" Gold In Contact Area
 - 100u" Tin In Tail Area
 - S5:30u" Gold In Contact Area
 - 100u" Tin In Tail Area
 - S9:3u" Gold In Contact Area
 - 100u" Tin In Tail Area



RECOMMENDED P.C.B. LAYOUT
TOLERANCE UNSPECIFIED $\pm 0.05\text{mm}$



ZDX 深圳市兆达鑫科技有限公司 Shenzhen Zhao Xin Technology Co., Ltd.			
TOLERANCE: X.XX ± 0.30 X.XXX ± 0.20 X.X ± 0.10 X.XX ± 0.05 X.X ± 0.02 X.X ± 0.01	DRAWN BY : 刘志强	DATE : 2015.08.18	PART NAME: TYPE-C16P公头立贴H=5.7-8.65
	CHECKED BY: 李毅	DATE : 2015.08.18	PART NO. SEE TABLE MOLD NO.
UNIT: mm [inch] SCALE: 1:1 SIZE: A4	APPROVED BY: 张少辉	DATE : 2015.08.18	DRAW NO: ZDJNKJ00001651 SHEET NO. 1 OF 1