

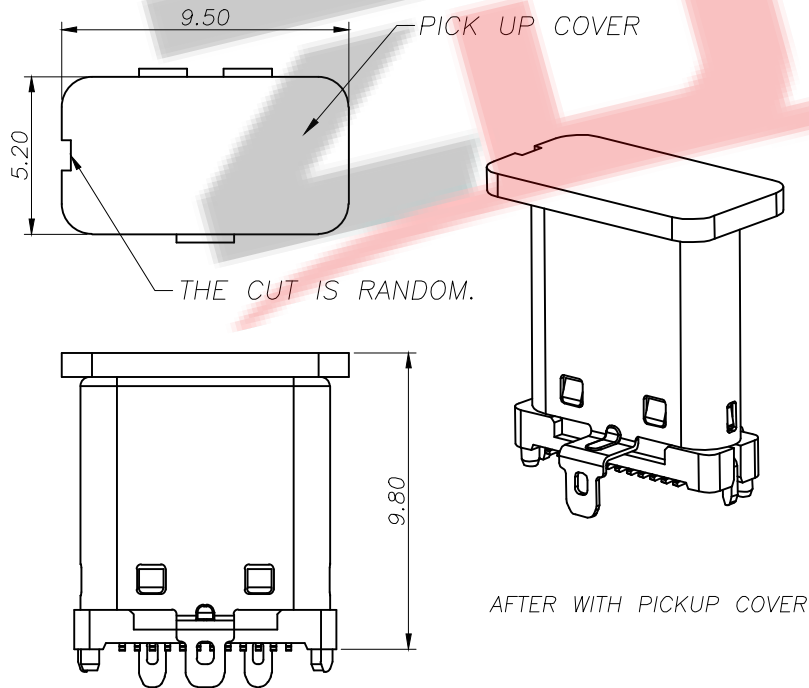
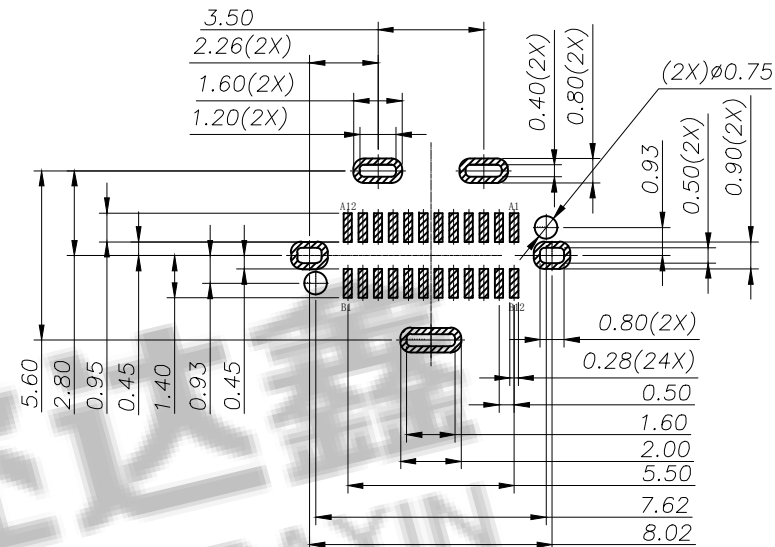
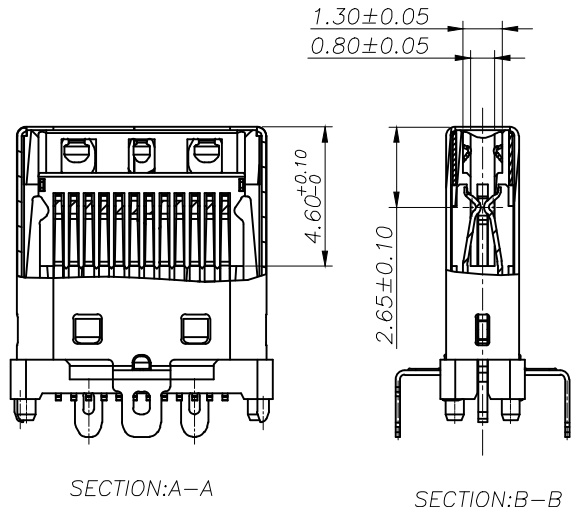
NOTE:

- 1.MATERIAL SPECIFICATION:
 - 1.HOUSING&PICKUP COVER:LCP,UL94 V-0.
 - 2.CONTACTS: COPPER ALLOY(C7025)
 - 3.LATCH: STAINLESS STEEL(SUS301)
 - 4.SPRING: STAINLESS STEEL(SUS304)
 - 5.FRONT SHELL: STAINLESS STEEL(SUS304)
- 2.PLATING SPECIFICATION:
 - 2-1.CONTACTS:
 - Ni 50u" MIN. UNDER PLATED OVER ALL.
 - Au PLATED ON THE FUNCTIONAL AREA OF CONTACT.
 - (GOLD PLATING THICKNESS FOLLOW THE P/N)
 - PLATING SPECIFICATIONS OF THE SOLDER AREA FOLLOW THE P/N
 - 2-2.FRONT SHELL:
 - Ni 30u" MIN. UNDER PLATED OVER ALL.
 - 2-3.LATCH:
 - Ni 50u" MIN. UNDER PLATED OVER ALL.
 - 80u" MIN. TIN PLATED ON SOLDER AREA.
 - 2-4.SPRING:
 - CLEAR ONLY
- 3.MECHANICAL PERFORMANCE,
 - 3-1.INSERTION FORCE: 0.5~2.0kgf.
 - 3-2.REMOVAL FORCE: 0.8kgf~2.0kgf.
 - 3-3.DURABILITY: 10000 CYCLES.
- 4.ELECTRICAL PERFORMANCE,
 - 4-1. CURRENT RATING:3.0A
VOLTAGE RATING:5.0V
 - 4-2. LLCR:
 - VBUS & GND PINS AND OTHER PINS: 40mΩ/PIN MAX.
 - SHIELD: 50mΩ/MAX.
 - LLCR MAX. CHANGE OF ALL PINS: 10mΩ.
 - 4-3.INSULATION RESISTANCE: 100MΩ MIN
 - 4-4.DIELECTRIC WITHSTAND VOLTAGE,AC 100V FOR 1 MINUTE.
5. ENVIRONMENTAL PERFORMANCE:
 - OPERATING TEMPERATURE: -25°C~+85°C.
- 6.IR REFLOW:
 - THE PEAK TEMPERATURE ON THE BOARD SHALL BE MAINTAINED FOR 10 SECONDS AT 260°C.

深圳市兆达鑫科技有限公司 Shenzhen Zhao Xin Technology Co., Ltd.			
TOLERANCE: X.X ±0.30 X.XX ±0.20 X.XXX ±0.10 X.X ±0.10 X.X ±0.08 X.X ±0.05	DRAWN BY :	DATE :	PART NAME:
	刘志强	2020.08.18	TYPE-C24P公头立式贴片H9.0
UNIT: mm [inch] SCALE:1:1 SIZE: A4	CHECKED BY:	DATE :	PART NO. SEE TABLE
	李文毅	2020.08.18	MOLD NO.
APPROVED BY:	DATE :	DRAW NO. ZDJNKJ00002482	SHEET NO. 1 OF 1
	张少辉	2020.08.18	

USB TYPE-C PIN ASSIGNMENTS

PIN NUMBER	SIGNAL NAME	PIN NUMBER	SIGNAL NAME
A1	GND	B12	GND
A2	SSTXp1	B11	SSRXp1
A3	SSTXn1	B10	SSRXn1
A4	Vbus	B9	Vbus
A5	CC1	B8	SBU2
A6	Dp1	B7	Dn2
A7	Dn1	B6	Dp2
A8	SBU1	B5	CC2
A9	Vbus	B4	Vbus
A10	SSRXn2	B3	SSTXn2
A11	SSRXp2	B2	SSTXp2
A12	GND	B1	GND



P/N: ACM005-1AXH1K0XX-0HR

HOUSING MATERIAL: A: LCP

HOUSING COLOR: 1: BLACK

SHELL MATERIAL: H: SUS304

SHELL PLATING: 1: Ni

CONTACT FUNCTIONAL AREA PLATED

01: Au 1u"
03: Au 3u"
15: Au 15u"
30: Au 30u"

CONTACT SOLDER AREA PLATED

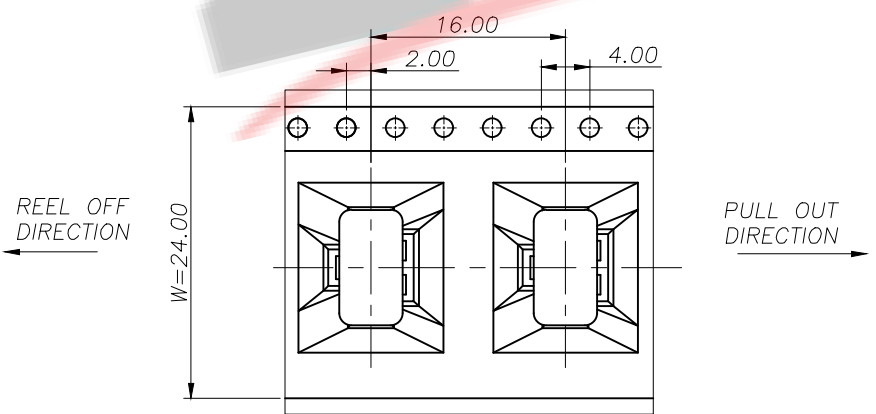
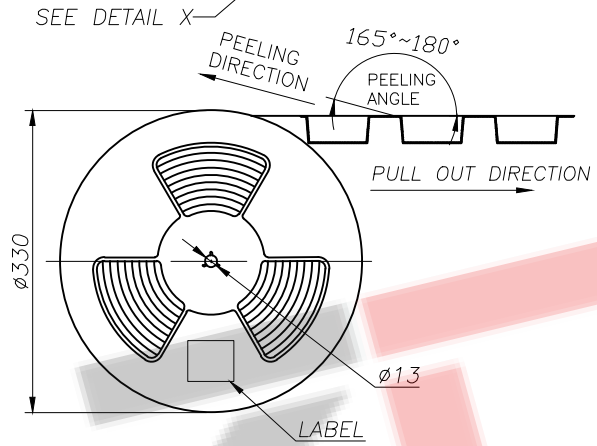
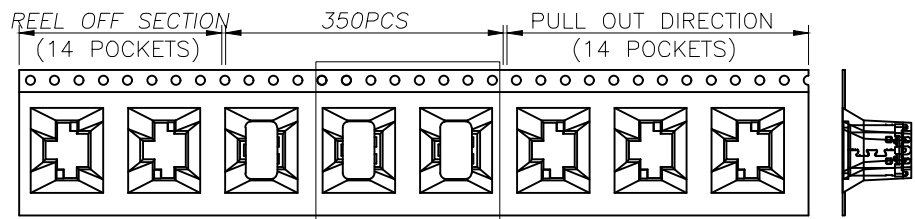
0: Sn

CONTACT MATERIAL

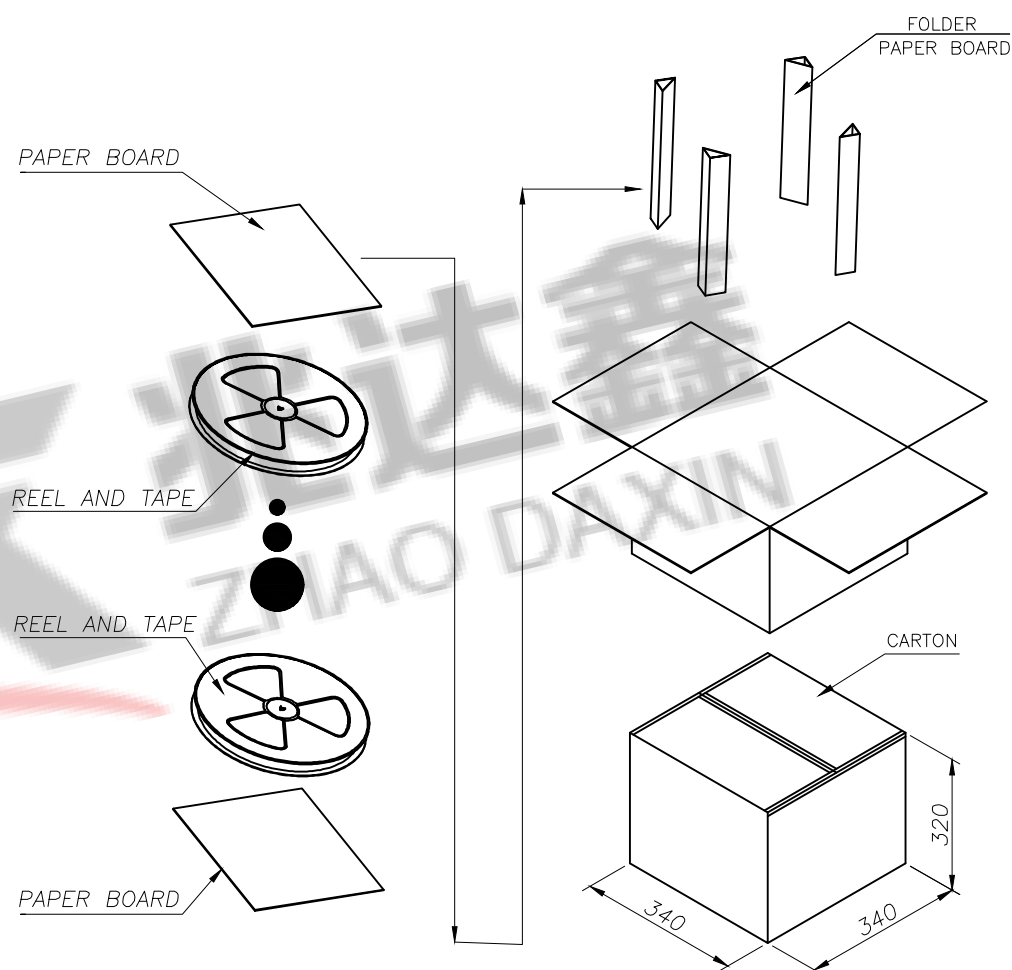
K: C7025

ZDX 深圳市兆达鑫科技有限公司
Shenzhen Zhao Xin Technology Co., Ltd.

TOLERANCE: XXX ±0.30 X:XX ±0.20 X:XXX ±0.10 X:XX ±0.10 X:XX ±0.10 X:XX ±0.10	DRAWN BY : 刘志强 DATE : 2020.08.18	PART NAME: TYPE-C24P公头立式贴片H9.0	
UNIT: mm [inch] SCALE:1:1 SIZE: A4	CHECKED BY: 李文毅 DATE : 2020.08.18	PART NO.	SEE TABLE
	APPROVED BY: 张少辉 DATE : 2020.08.18	MOLD NO.	
		DRAW NO:	ZDJNKJ00002482
		SHEET NO.	1 OF 1



DETAIL X
SCALE: 2:1



ZDX 深圳市兆达鑫科技有限公司
Shenzhen Zhao Xin Technology Co., Ltd.

TOLERANCE: X.X ±0.30 X.XX ±0.20 X.XXX ±0.10 X.X ±0.10 X.X ±0.05 X.X ±0.02	DRAWN BY : 刘志强	DATE : 2020.08.18	PART NAME: TYPE-C24P公头立式贴片H9.0	
	CHECKED BY : 李文毅	DATE : 2020.08.18	PART NO.	SEE TABLE
UNIT: mm [inch] SCALE: 1:1 SIZE: A4	APPROVED BY : 张少辉	DATE : 2020.08.18	MOLD NO.	
			DRAW NO.: ZDJNKJ00002482	SHEET NO.: 1 OF 1