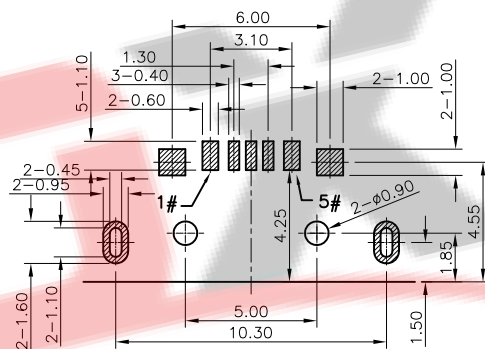
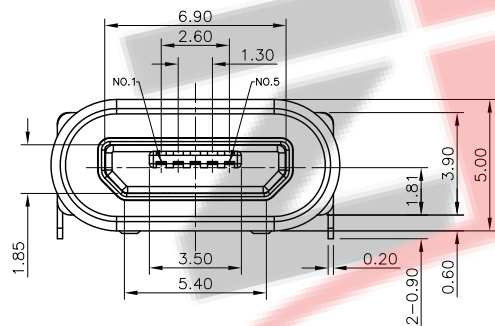
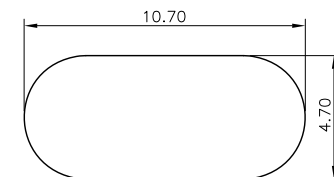
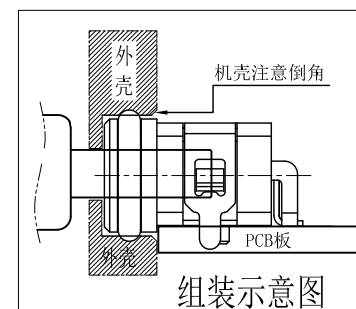


SPECIFICATIONS:

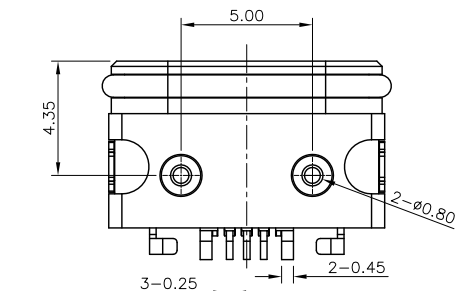
1. ELECTRICAL CHARACTERISTICS:
  - 1.1. RATING: 3A(PIN1&5),0.5A(PIN2&3&4);
  - 1.2. CONTACT RESISTANCE: 30 mΩ MAX.(INITIAL);
  - 1.3. DIELECTRIC WITHSTANDING: 500V AC MIN.;
  - 1.4. INSULATION RESISTANCE: 1000MΩ MIN.;
2. DURABILITY: 10,000 CYCLES MIN.;
3. INSERTION FORCE: 3.5Kgf (35N) Max.;
4. EXTRACTION FORCE: 0.8Kgf (8N) Min.;
5. WATER PROOFNESS: THIS PRODUCT IS BASED ON IPX8.
6. PLUG INTERFACE DIMENSIONS COMFORM TO USB2.0 SPEC.
7. PACKAGING: TAPE & REEL.



RECOMMENDED P.C.B. LAYOUT (TOP VIEW)  
GENERAL TOLERANCE: ±0.05



开孔尺寸参考  
组装外壳时需要打环润滑油



Contact Number	Signal Name	Remarks
1#	VBUS	Power
2#	D-	Date-
3#	D+	Date+
4#	ID	Reserve or Gound
5#	GND	Gound

**ZDX** 深圳市兆达鑫科技有限公司  
Shenzhen Zhao Xin Technology Co., Ltd.

TOLERANCE: XX ±0.30 XX ±0.20 XXX ±0.10 X ±10° X ±5°	DRAWN BY : 陈少龙	DATE : 2015.08.18	PART NAME: MC5P防水母座两脚插板带定位柱	
UNIT: mm [inch]	CHECKED BY: 陈少龙	DATE : 2015.08.18	PART NO.	SEE TABLE
SCALE:1:1 SIZE: A4	APPROVED BY: 陈少龙	DATE : 2015.08.18	MOLD NO.	
			DRAW NO:	ZDJNKJ000MC206
			SHEET NO.	1 OF 1