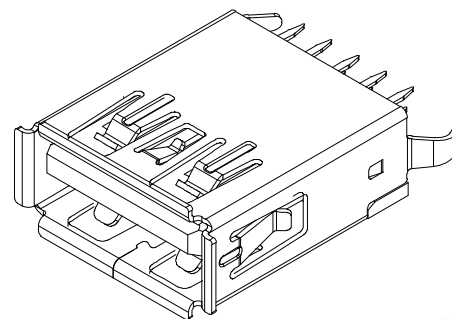


PIN NUMBER	SIGNAL NAME
PIN 1	Vbus
PIN 2	D-
PIN 3	D+
PIN 4	GND
PIN 5	StdA_SSRX-
PIN 6	StdA_SSRX+
PIN 7	GND_DRAIN
PIN 8	StdA_SSTX-
PIN 9	StdA_SSTX+
SHELL	GND



3D VIEW

NOTES:

1. MATERIAL:

1.1. HOUSING: LCP ,COLOR IS BLUE;

1.2. CONTACT: BRASS(H65 T=0.20&0.25mm);

1.3. SHELL: BRASS(H65 T=0.30);

2. ELECTRICAL:

4.1. VOLTAGE RATING: 30V DC ;

4.2. CURRENT RATING: 1.5A ;

4.3. CONTACT RESISTANCE: 30MILLIOHMS MAX.;

4.4. WITHSTAND VOLTAGE: 100V AC RMS 50(60)Hz,1MIN.;

4.5. INSULATION RESISTANCE: 100MEGOHMS MIN @500V DC;

5. MECHANICAL:

5.1. MATING FORCE: 35N MAX.;

5.2. UNMATING FORCE: 5~35N ;

5.3. OPERATING LIFE: 1500 CYCLES MIN.;

6. PLATING:

6.1. TERMINAL:

NI PLATING OVER ALL,

Tin PLATING ON SOLDER AREA,

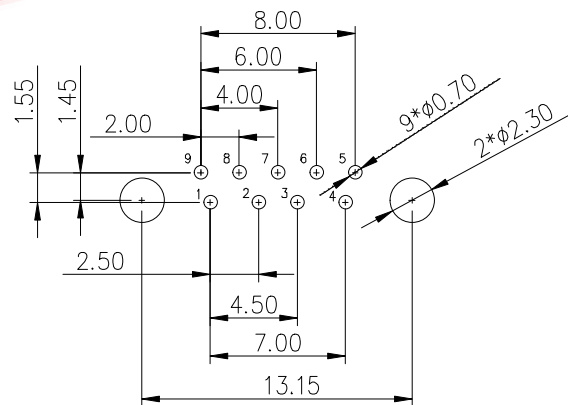
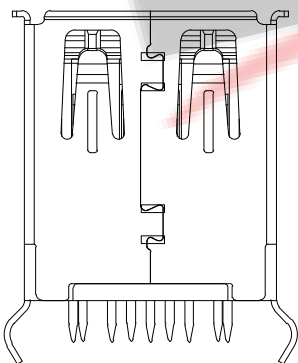
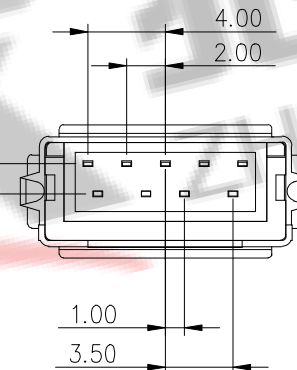
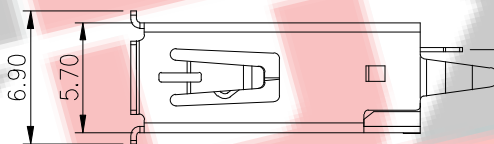
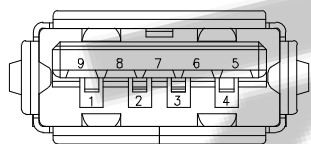
Au G/Fu" ON CONTACT AREA;

6.2. SHELL: NI PLATING OVER ALL;

7. ENVIRONMENTAL:

7.1. STORAGE TEMPERATURE RANGE: -40°C~+85°C ;

7.2. OPERATION TEMPERATURE RANGE: -25°C~+70°C;



RECOMMENDER P.C.B.LAYOUT TOP VIEW
(COMPONENT SIDE TOLERANCE±0.05)

ZDX 深圳市兆达鑫科技有限公司
Shenzhen Zhao Xin Technology Co., Ltd.

TOLERANCE: X.XX ±0.30 X.XXX ±0.20 X.XXX ±0.10 X.X ±0.10 X.X ±0.05	DRAWN BY : 刘志强	DATE : 2015.08.18	PART NAME: 3.0 直插15.0卷边弯脚	
 UNIT: mm [inch] SCALE: 1:1 SIZE: A4	CHECKED BY: 李毅	DATE : 2015.08.18	PART NO.	SEE TABLE
	APPROVED BY: 张少辉	DATE : 2015.08.18	MOLD NO.	
			DRAW NO:	ZDXAF300050021B
			SHEET NO.	1 OF 1