

规格说明: Specifications:

电气特性: Electrical:

1. 额定电流: Current Rating  
1.5A/contact terminal
2. 额定电压: Voltage Rating  
30V DC
3. 接触电阻: Contact Resistance  
30 milliohms MAX
4. 耐电压: Dielectric Withstanding Voltage:  
500 V AC AT Sea Level
5. 绝缘电阻: Insulation Resistance:  
1000MEGA ohms MIN

1. 插拔力: Connector Mate and Unmate Force  
Mate force: 3.57kgf(MAX)  
Unmate force: 1.02kgf(MIN)
2. 端子保持力: Terminal Retention  
1.0kgf(MIN)

1. 塑胶: Housing:  
Hing Temperature Thermoplastics,

2. 端子: Contact: Copper Alloy C2680

3. 外壳: Shell: Copper Alloy C2680/SPCC

电镀: Finish:

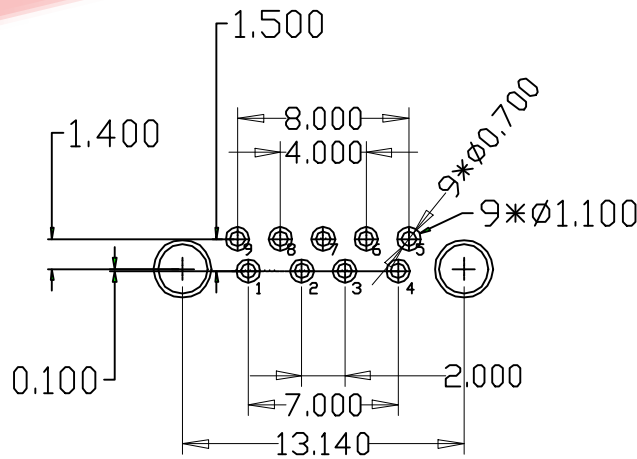
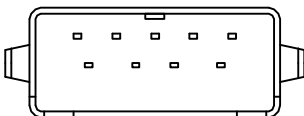
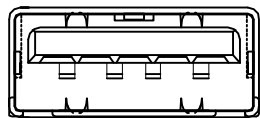
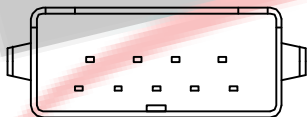
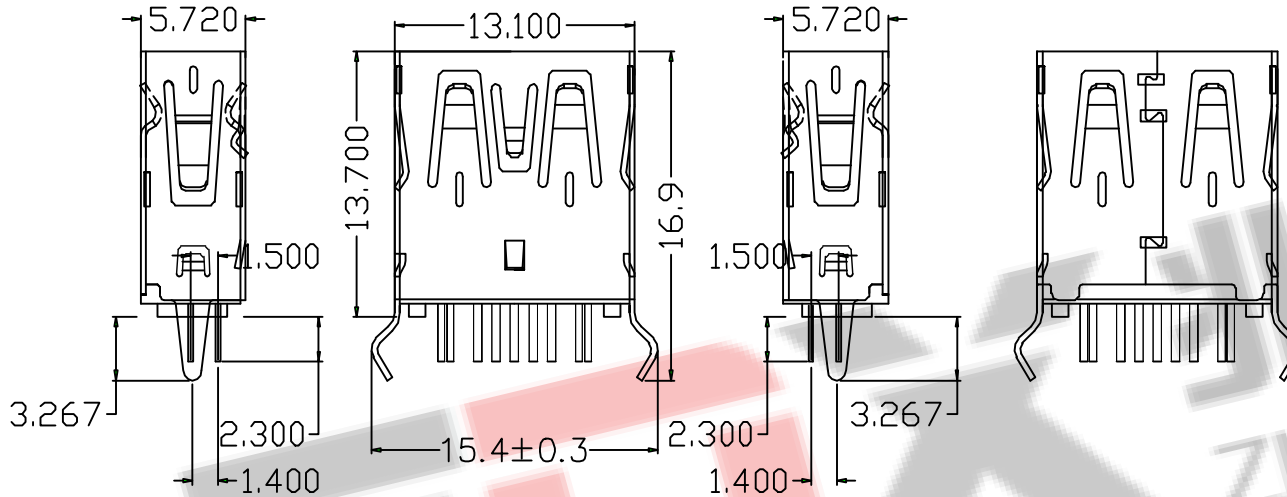
1. 端子: Contact: Plated Gold in Mating Area;  
Tin On Solder Tails

端子四周镀30-50U"(MIN)镍,"镀金1U"

2. 外壳: Shell:

铁壳四周镀80U"(MIN)镍,铜壳四周镀60-80U"(MIN)镍

Nickel Plating



P.C.B LAYOUT

10:10

Pin NUMBER	SIGNAL NAME
1	VBUS
2	D-
3	D+
4	GND
5	StdA_SSRX-
6	StdA_SSRX+
7	GND_DRAIN
8	StdA_SSTX-
9	StdA_SSTX+
Shell	Shield

<b>深圳市兆达鑫科技有限公司</b> Shenzhen Zhao Xin Technology Co., Ltd.			
TOLERANCE: X.X ±0.30 X.XX ±0.20 X.XXX ±0.10 X.XX ±0.10 X.X ±0.05 X ±0.05	DRAWN BY : <b>刘志强</b>	DATE : 2015.08.18	PART NAME: <b>3.0直插13.7直边弯脚</b>
UNIT: mm [inch] SCALE: 1:1 SIZE: A4	CHECKED BY: <b>李毅</b>	DATE : 2015.08.18	PART NO. SEE TABLE MOLD NO.
APPROVED BY: <b>张少辉</b>	DATE : 2015.08.18	DRAW NO.: ZDXAF300050020	SHEET NO.: 1 OF 1