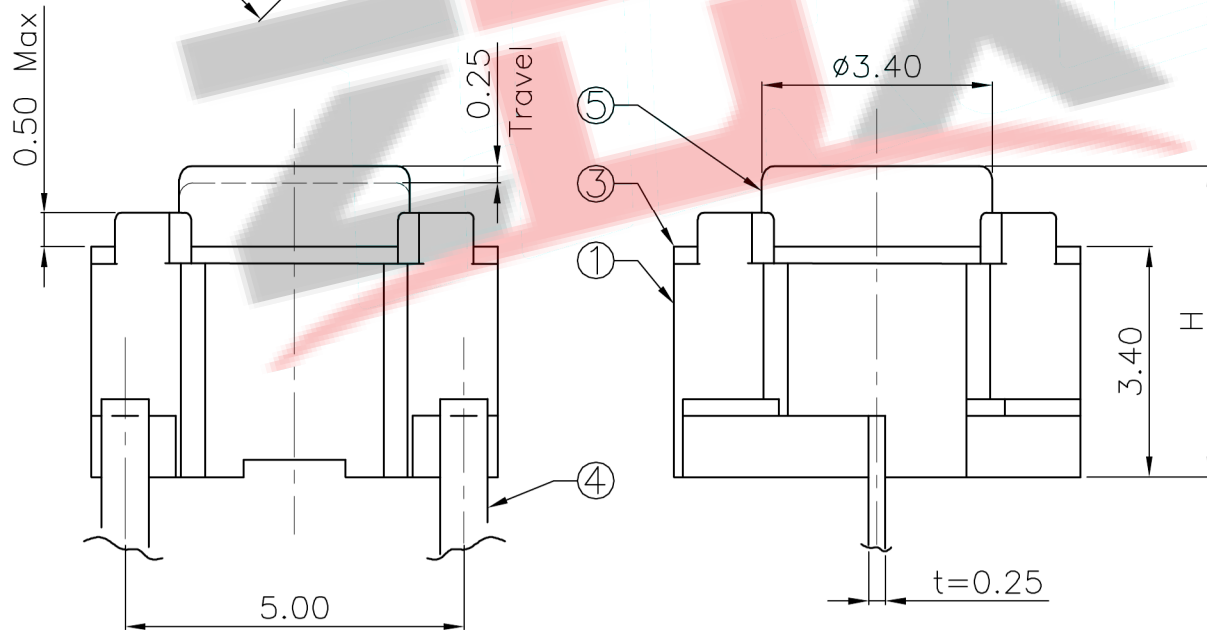
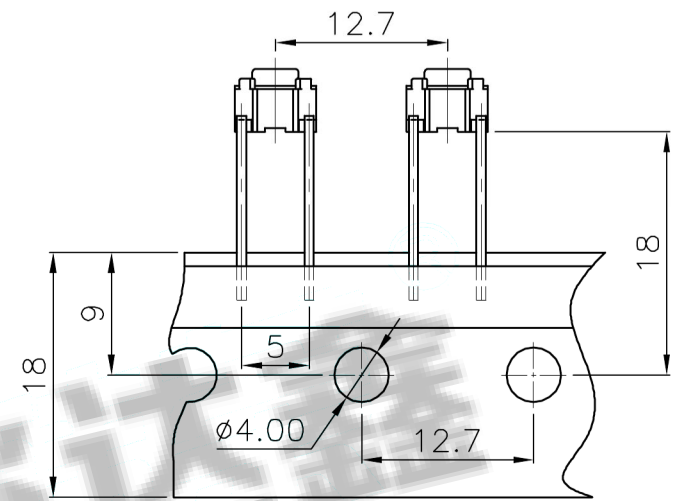


PCB Layout(Pattern Side)



NO.1	
PART NO	H
A	4.3
C	5.0

NO.2	
PART NO	vigor
1	90 \pm 30
2	130 \pm 30
3	180 \pm 30
4	250 \pm 30
5	350 \pm 50

NO.3	
PART NO	MATERIAL/QTY
S	SUS/1PC
C	C5210/1PC
D	SUS/2PCS
F	C5210/2PCS

NO.4-NO.5	
PART NO	NOTE
01~99	SERIAL NUMBER

ITEM	PART NAME	TER'NO.	QTY.	MATERIAL	FINISHING	REMARK
⑤	Knob	—	1	Nylon	White	—
④	Cover	—	1	Brass	Natural	—
③	Terminal	—	2	Copper	Plating silver	—
②	Contact	—	1	F.Ag/C5210	Plating silver	—
①	Base	—	1	Nylon	Black	—

APPROVALS			DATE		ZDX 深圳市兆达鑫科技有限公司 Shenzhen Zhao Xin Technology Co., Ltd.	
DRAWN	刘志强	2015.08.18	TITLE:	TACT SWITCHS		
CHECKED	李毅	2015.08.18	PART NO.	6*6中二脚圆形		
APPROVALS	张少辉	2015.08.18	TOLERANCES ARE	30~以上 10~30 5~10 ~5	\pm 0.30 \pm 0.20 \pm 0.15 \pm 0.10	ANGLE \pm 2'
ECN NO.	REV.	DATE.	DESCRIPTION.	CHANGE.	CHECK.	APPRO.
				UNIT: mm	SCALE: 1:1	PROJ:
				DRAWING NO.	SHEET 1 OF 1	