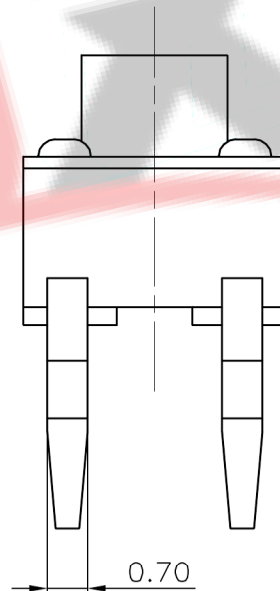
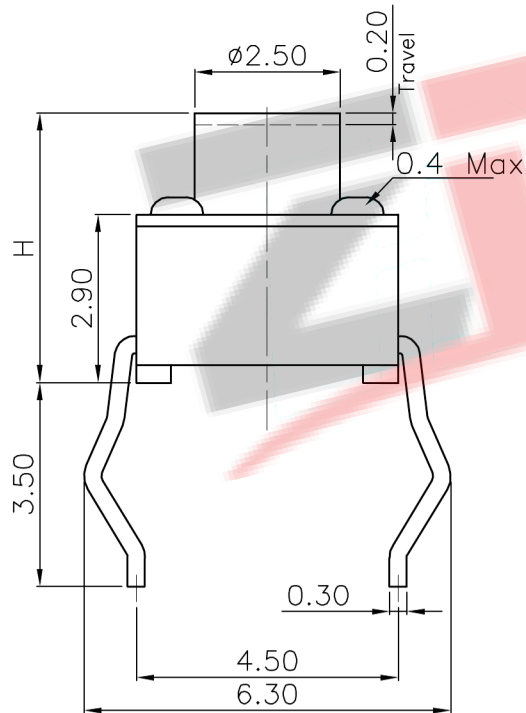


PCB Layout(Pattern Side)



NO.1	
PART NO	H
A	3.8
B	4.3
C	4.8
D	5
E	5.5
F	6
G	6.5
H	7
I	7.5
J	8
K	8.5
L	9

NO.2	
PART NO	vigor
1	90±30
2	130±30
3	180±30
4	250±30
5	350±50

NO.3	
PART NO	MATERIAL/QTY
S	SUS/1PC
C	C5210/1PC
D	SUS/2PCS
F	C5210/2PCS

NO.4-NO.5	
PART NO	NOTE
01~99	SERIAL NUMBER

⑤	Terminal	—	4	Brass(0.30t)	Plating silver	—
④	Contact	—	1	F.Ag/SUS	—	—
③	Base	—	1	PA46	Black	—
②	Cover	—	1	SUS	—	—
①	Keystoke	—	1	PA46	Black	—
ITEM	PART NAME	TER'NO.	QTY.	MATERIAL	FINISHING	REMARK

APPROVALS			DATE		ZDX 深圳市兆达鑫科技有限公司 Shenzhen Zhao Xin Technology Co., Ltd.	
DRAWN	刘志强	2015.08.18	TITLE:	TACT SWITCHS		
CHECKED	李文毅	2015.08.18	PART NO.	4.5X4.5X(3.8-10)MM(DIP)		
APPROVALS	张少辉	2015.08.18	UNIT: mm	SCALE: 1:1	PROJ:	④
TOLERANCES ARE		30~以下 ±0.30	ANGLE	DRAWING NO.	SHEET 1 OF 1	
		10~30 ±0.20	±2'			
		5~10 ±0.15				
		~ 5 ±0.10				

ECN NO.	REV	DATE.	DESCRIPTION.	CHANGE.	CHECK.	APPRO.
—	A	—	NEW	—	—	—