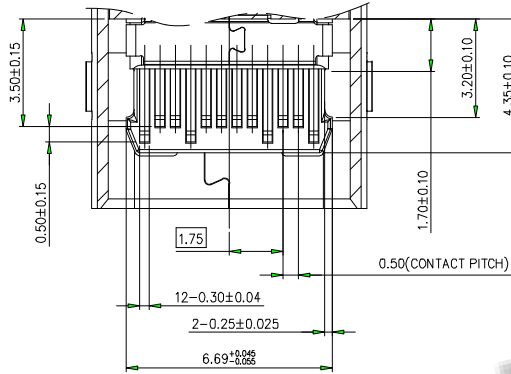
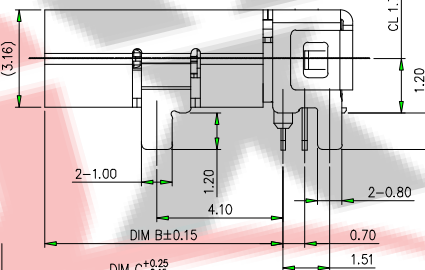
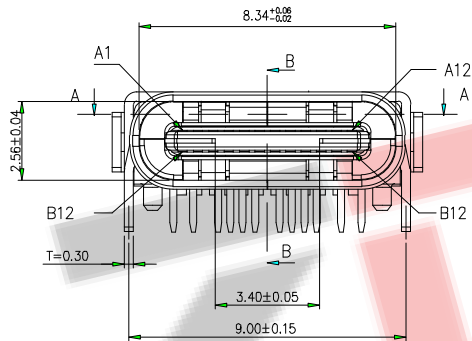


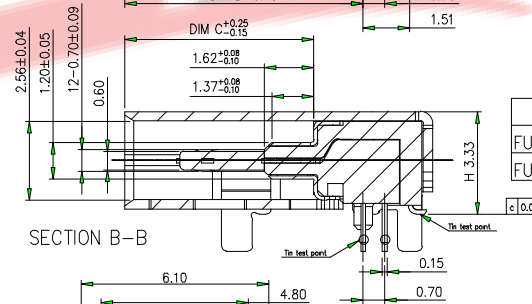
DIM A±0.30



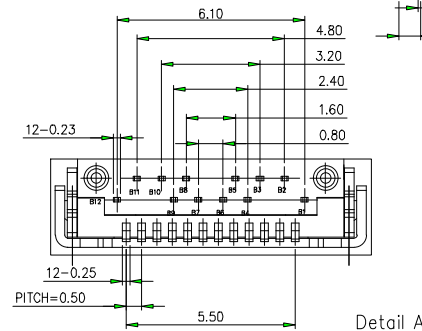
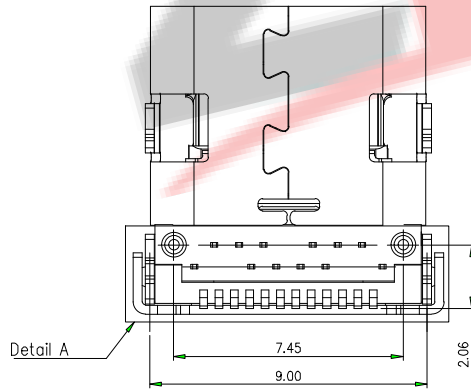
SECTION A-A



SECTION B-B



SECTION B-B



NOTES:

- MATERIAL:
 - MOLDING: LCP UL94 V-0
 - CONTACT: COPPER ALLOY.
 - GOLD PLATED Min ON CONTACT AREA, 100u"
 - Min TIN (LEAD FREE) ON SOLDER AREA,
 - SHELL: SUS304-H, T=0.30±0.03mm
 - 50u" NICKEL PLATING OVER ALL.
 - SHILD: SUS304-H, T=0.12±0.03mm
- MECHANICAL:
 - INSERTION: 5~20N.
 - EXTRACTION: 8~20N AFTER TEST.
 - DURABILITY: 10000 CYCLES
- ELECTRICAL:
 - CURRENT: 5A FOR VBUS;
 - 1.25A FOR GND PIN.
 - 0.25A FOR OTHER.
 - VOLTAGE: 20 V MAX
 - WITHSTANDING VOLTAGE: 100V AC R.M.S.
 - CONTACT RESISTANCE: 40mΩ MAX.
 - INSULATION RESISTANCE: 100MΩ MIN.
- ENVIRONMENTAL
 - TEMPERATURE RANGE -55°C ~ +85°C

FUCR - 24 8 X - X X X X

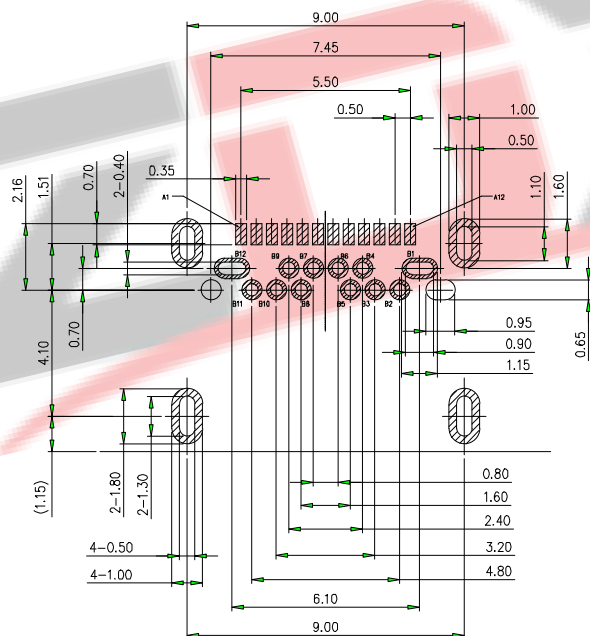
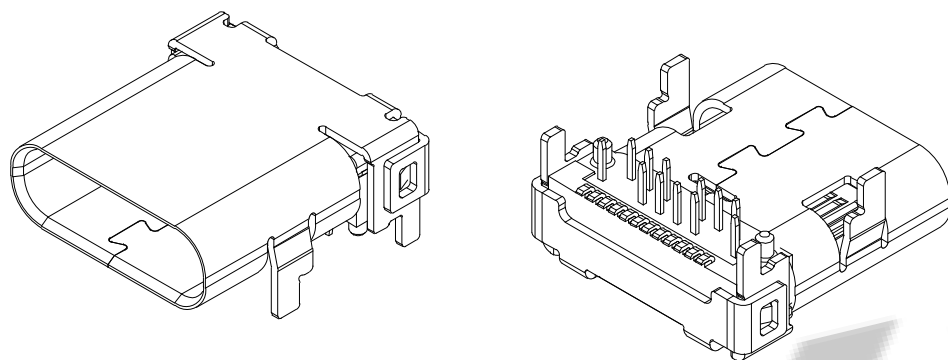
PIN NO:
04-24

包装:
R.TAPE&REEL(卷)
颜色:
B:BLCK
W: WHITE

P/N:	DIM A	DIM B	DIM C
FUCR-248X-10XX	10.00	7.75	6.15
FUCR-248X-17XX	8.65	6.40	4.80

ZDX 深圳市兆达鑫科技有限公司
Shenzhen Zhao Xin Technology Co., Ltd.

TOLERANCE: X.X ±0.30 X.XX ±0.20 X.XXX ±0.10 X.XX ±0.10 X.X ±0.10 X.X ±0.10 X.X ±0.10 X.X ±0.10 X.X ±0.10	DRAWN BY :	DATE :	PART NAME:	
	刘志强	2015.08.18	TC24P四脚前插后贴L8.65-10.0	
UNIT: mm [inch] SCALE: 1:1 SIZE: A4	CHECKED BY :	DATE :	PART NO.	SEE TABLE
	李毅	2015.08.18	MOLD NO.	
APPROVED BY: 张少辉	DATE :	DRAW NO.:	ZDJNKJ00002415	
	2015.08.18	SHEET NO.	1 OF 1	



RECOMMEND P.C.B LAYOUT (COMPONENT SIDE)

TOLERANCE FOR PCB LAYOUT IS ± 0.05
KEEP OUT AREA

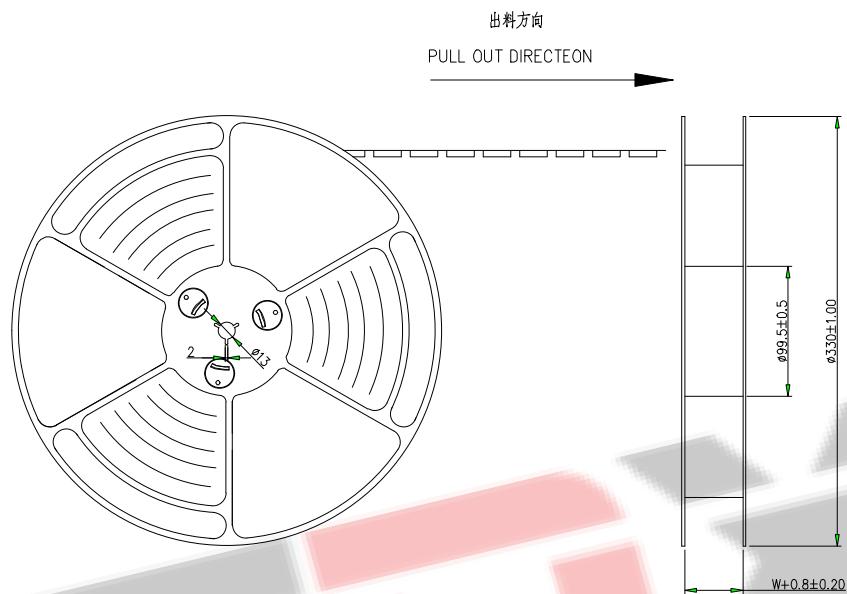
USB TYPE-C FULL-FEATURED RECEPTACLE INTERFACE PIN ASSIGNMENTS

PIN	Signal Name	Description	PIN	Signal Name	Description
A1	GND	Ground return	B12	GND	Ground return
A2	SSTXp1	Positive half of first SuperSpeed TX differential pair	B11	SSRXp1	Positive half of first SuperSpeed RX differential pair
A3	SSTXn1	Negative half of first SuperSpeed TX differential pair	B10	SSRXn1	Negative half of first SuperSpeed RX differential pair
A4	Vbus	Bus Power	B9	Vbus	Bus Power
A5	CC1	Configuration Channel	B8	SBU2	Sideband Use (SBU)
A6	Dp1	Positive half of the USB 2.0 differential pair--Position 1	B7	Dn2	Negative half of the USB 2.0 differential pair--Position 2
A7	Dn1	Negative half of the USB 2.0 differential pair--Position 1	B6	Dp2	Positive half of the USB 2.0 differential pair--Position 2
A8	SBU1	Sideband Use(SBU)	B5	CC2	Configuraaion Channel
A9	Vbus	Bus Power	B4	Vbus	Bus Power
A10	SSRXn2	Negative half of second SuperSpeed RX differential pair	B3	SSTXn2	Negative half of second SuperSpeed TX differential pair
A11	SSRXp2	Positive half of second SuperSpeed RX differential pair	B2	SSTXp2	Positive half of second SuperSpeed TX differential pair
A12	GND	Ground return	B1	GND	Ground return



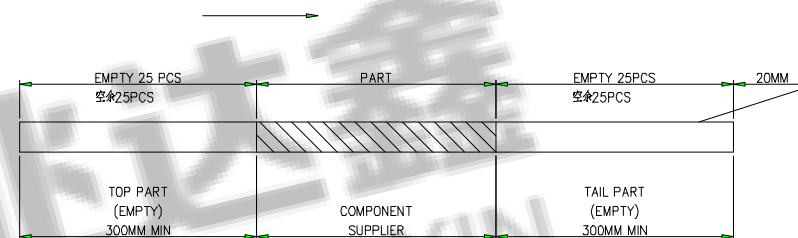
深圳市兆达鑫科技有限公司
Shenzhen Zhao Xin Technology Co., Ltd.

TOLERANCE: X X ± 0.30 X XX ± 0.20 X XXX ± 0.10 X : $\pm 10^\circ$ X : $\pm 5^\circ$	DRAWN BY :	DATE :	PART NAME:	
	刘志强	2015.08.18	TC24P四脚前插后贴L8.65-10.0	
 UNIT: mm [inch] SCALE: 1:1 SIZE: A4	CHECKED BY :	DATE :	PART NO.	SEE TABLE
	李毅	2015.08.18	MOLD NO.	
 APPROVED BY : 张少辉	DATE :	DRAW NO.:	ZDJNKJ00002415	
	2015.08.18	SHEET NO.	1 OF 1	



NOTES

- 1. 子引 度
LEAD TAPE LENGTH
出料方向
PULL OUT DIRECTEON



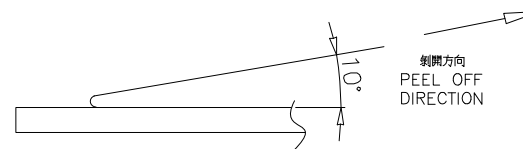
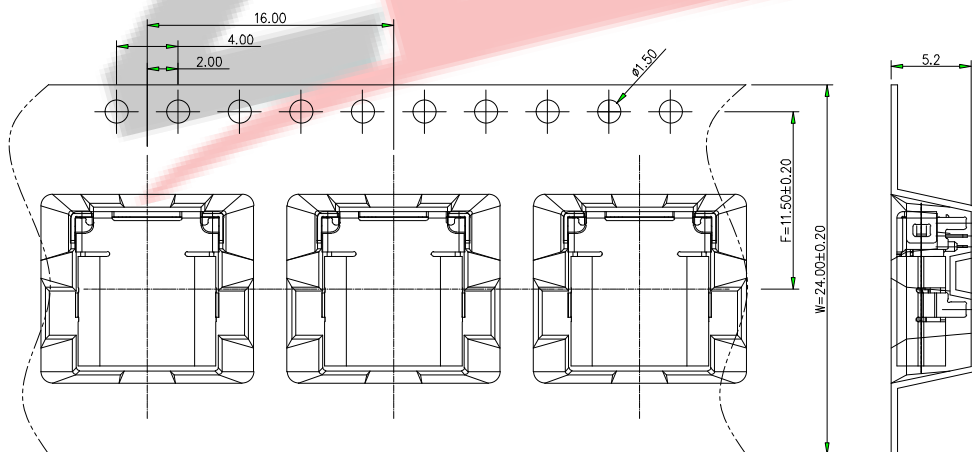
- 2. 上 力力 : 0.1~1.3N(10.2gf~130gf)
PEELING OFF FORCE OF TOP TAPE: 0.1~1.3N(10.2gf~130gf)

出 程中一定注意:

THIS REQUIREMENT SHOULD BE APPLIED AT SHIPMENT:

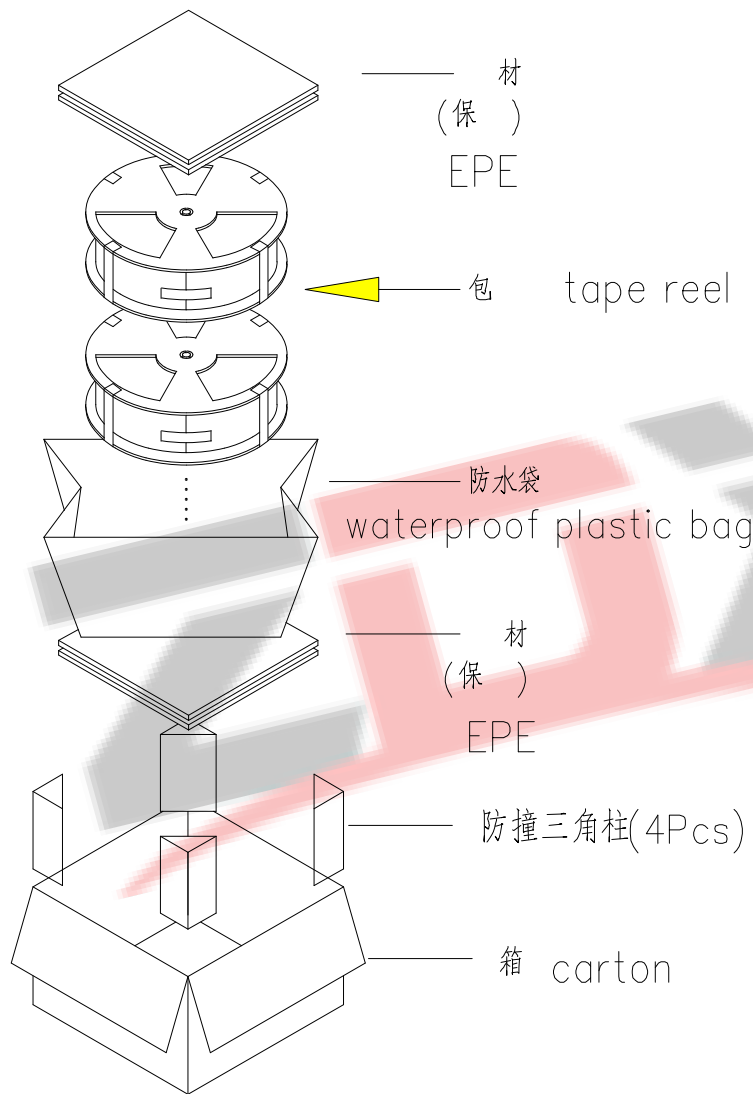
卷 在 程中不能散

PEELING OFF SHOULD NOT BE ALLOWED DURING TRANSPORTATION

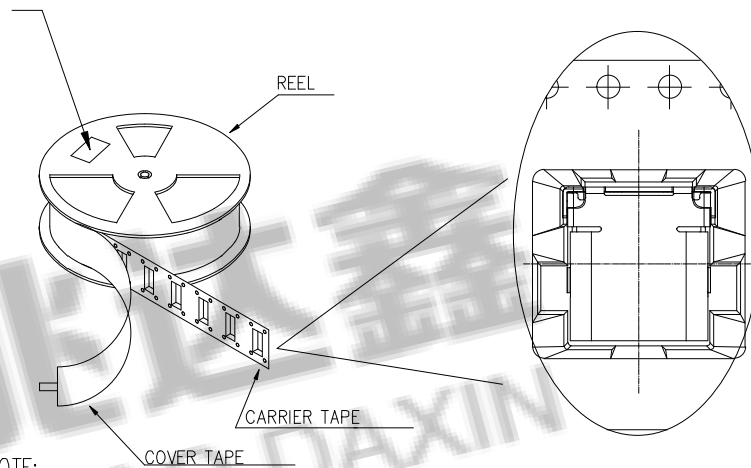


ZDX 深圳市兆达鑫科技有限公司
Shenzhen Zhao Xin Technology Co., Ltd.

TOLERANCE: X.X ± 0.30 X.XX ± 0.20 X.XXX ± 0.10 X.XX ± 0.10 X.X ± 0.05 X.X ± 0.05 X.X ± 0.05	DRAWN BY :	DATE :	PART NAME:	
	刘志强	2015.08.18	TC24P四脚前插后贴L8. 65-10. 0	
 UNIT: mm [inch] SCALE: 1:1 SIZE: A4	CHECKED BY:	DATE :	PART NO.	SEE TABLE
	李毅	2015.08.18	MOLD NO.	
	APPROVED BY:	DATE :	DRAW NO.:	ZDJNKJ00002415
	张少辉	2015.08.18	SHEET NO.	1 OF 1



at small positioning hole of the carrier tape side).
黏 (朝 包材的小定位孔一)
Location of label sticking (label



NOTE:

1. 每包量及每箱箱量如下表格。
Packing q'ty of each reel & carton as below table shown.
2. 以上覆下包包熔包
Use cover tape to cover and hot melt machine to seal up.
3. 每箱放2珍珠棉
Every carton use 2pcs EPE.
4. 品卷放入箱并以封口
Put reels in the carton and use adhesive tape to seal up.

RoHS Compliant

品料 (PRODUCT No.)	包 容 量 (PACKING CAPACITY)			重 量 WEIGHT (Kg)		
	PCS/REEL	REELS/CARTON	PCS/CARTON	N.W./PCS	N.W./BOX	G.W./BOX
FUCR-248X-XXXR	700	8	5600	0.704		

深圳市兆达鑫科技有限公司 Shenzhen Zhao Xin Technology Co., Ltd.					
TOLERANCE: X.XX ±0.30 X.XXX ±0.20 X.XXX ±0.10 X.X ±0.10 X.X ±0.05	DRAWN BY : 刘志强	DATE : 2015.08.18	PART NAME: TC24P四脚前插后贴L8.65-10.0		
 UNIT: mm [inch] SCALE: 1:1 SIZE: A4	CHECKED BY: 李毅	DATE : 2015.08.18	PART NO.	SEE TABLE	
	APPROVED BY: 张少辉	DATE : 2015.08.18	DRAW NO:	ZDJNKJ00002415	
			SHEET NO.	1 OF 1	