

SPECIFICATION:

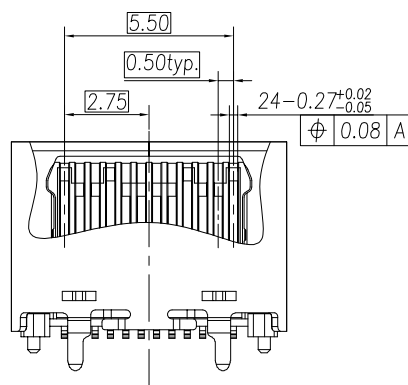
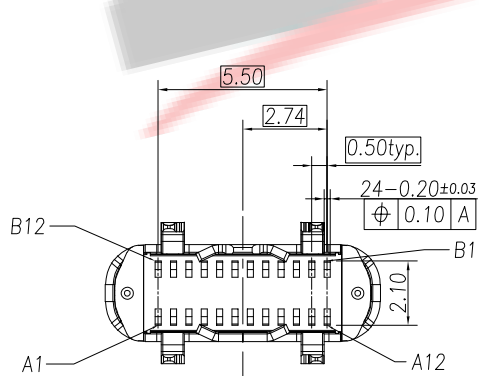
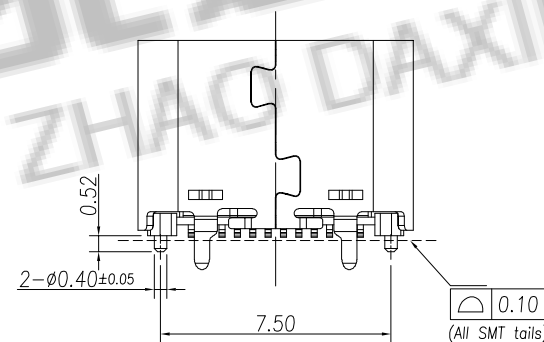
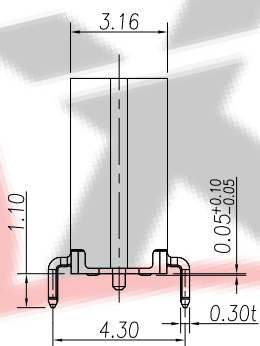
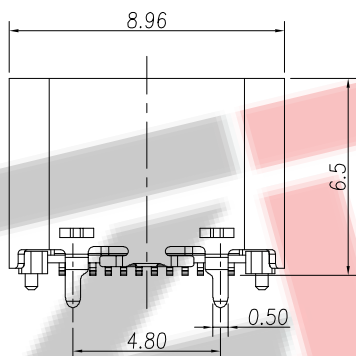
1.ELECTRICAL CHARACTERISTICS:

- 1.1 CURRENT RATING: 5A
- 1.2 TEMPERATURE RANGE: -40 °C ~ 85 °C
- 1.3 CONTACT RESISTANCE: 30 MILLIONHM MAX.
- 1.4 DIELECTRIC WITHSTANDING VOLTAGE: 100 VAC r.m.s
- 1.5 INSULATION RESISTANCE: 100 MEGOHMS MIN.

2.MECHANICAL CHARACTERISTICS

- 2.1 INSERTION FORCE: 5~20N
- 2.2 EXTRACTION FORCE: Initial:8~20N;
- 2.3 DURABILITY:10,000CYCLES

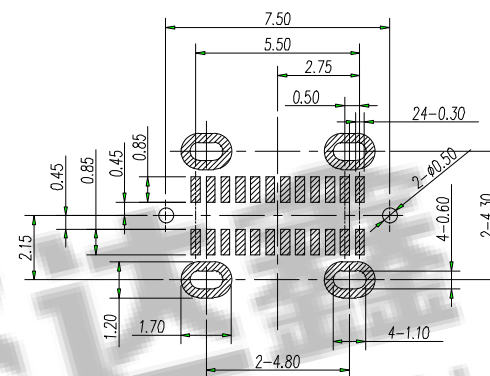
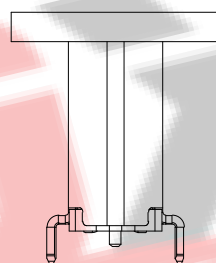
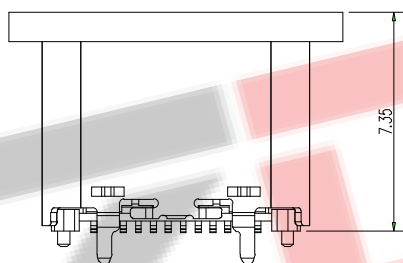
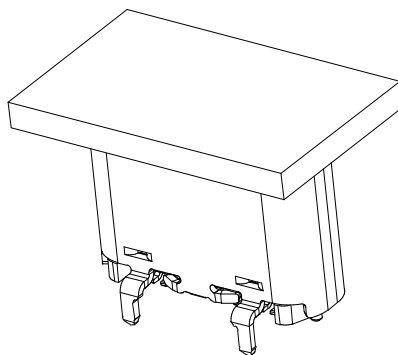
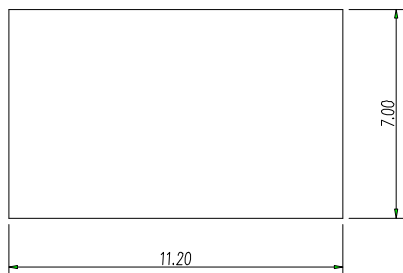
3.THE SHELL LENGTH IS LESS THAN THE MINIMUM SPECIFIED BY THE USB TYPE C STANDARD,AS SUCH IS CONNOT INDEPENDENTLY BE GUARANTEED TO MEET ALL TYPE C MECHANICAL REQUIREMENTS.



ZDX 深圳市兆达鑫科技有限公司
Shenzhen Zhao Xin Technology Co., Ltd.

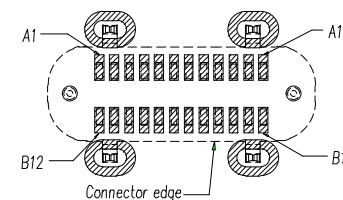
TOLERANCE: X.X ±0.30 X.XX ±0.20 X.XXX ±0.10 X.XX ±0.10 X.X ±0.05 X.X ±0.05	DRAWN BY :	DATE :	PART NAME:	
	刘志强	2015.08.18	TYPE-C24P短体立贴H6.5MM	
UNIT: mm [inch] SCALE:1:1 SIZE: A4	CHECKED BY:	DATE :	PART NO.	SEE TABLE
	李毅	2015.08.18	MOLD NO.	
	APPROVED BY:	DATE :	DRAW NO:	ZDJNKJ00002401
	张少辉	2015.08.18	SHEET NO.	1 OF 1

ASSEMBLY CAP



P.C.B LAYOUT VIEW

TOLERANCE ±0.05



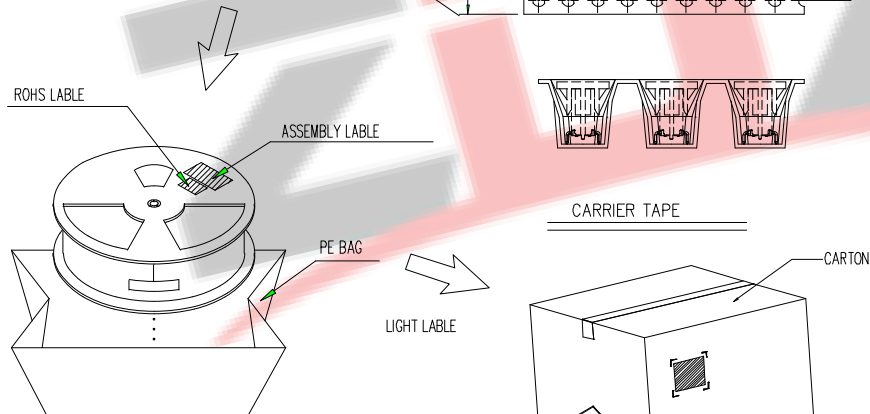
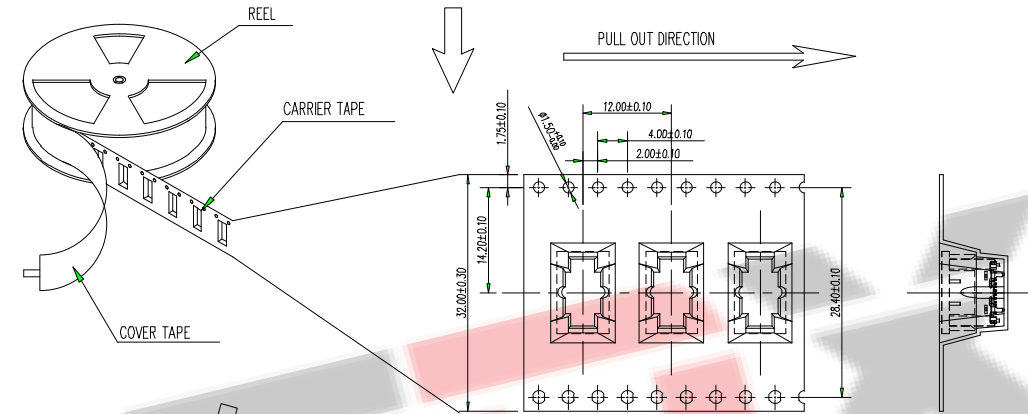
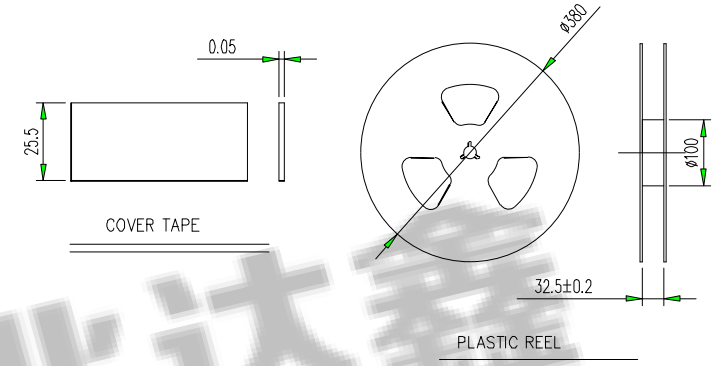
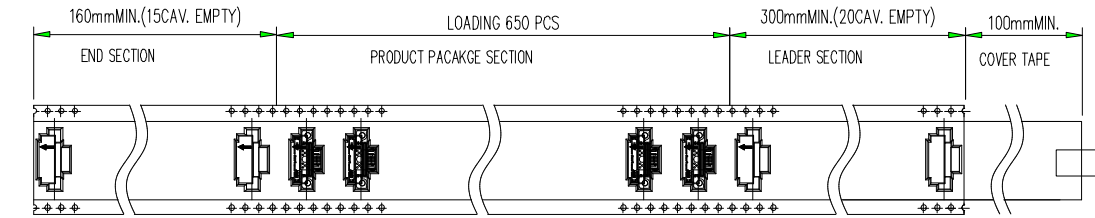
PIN ASSIGNMENT

Pin	Signal Name	Pin	Signal Name	Pin	Signal Name	Pin	Signal Name
A1	GND	B12	GND	A7	D-	B6	D+
A2	TX1+	B11	RX1+	A8	SBU1	B5	CC2
A3	TX1-	B10	RX1-	A9	VBUS	B4	VBUS
A4	VBUS	B9	VBUS	A10	RX2-	B3	TX2-
A5	CC1	B8	SBU2	A11	RX2+	B2	TX2+
A6	D+	B7	D-	A12	GND	B1	GND

6	CAP	1 PCS	PLASTIC	UL94V-0
5	MID PLATE	1 PCS	STAINLESS STEEL	None
4	CONTACT 2	1 SET	COPPER ALLOY	CONTACT AREA : Au 1u" Min., Ni 30~80u"
3	CONTACT 1	1 SET	COPPER ALLOY	SOLDER AREA : Matte Tin 50u" Min., Ni 30~80u"
2	HOUSING	1 PCS	PLASTIC	UL94V-0
1	SHELL	1 PCS	STAINLESS STEEL	Ni 50~100u"
NO.	DESCRIPTION	QTY.	MATERIAL	FINISHED

ZDX 深圳市兆达鑫科技有限公司
Shenzhen Zhao Xin Technology Co., Ltd.

<p>TOLERANCE:</p> <p>XXX ±0.30</p> <p>XX ±0.20</p> <p>X:XXX ±0.10</p> <p>X: ±0.05</p> <p>±0.02</p> <p>±0.01</p>	DRAWN BY :	DATE :	PART NAME:	
	刘志强	2015.08.18	TYPE-C24P短体立贴H6.5MM	
	CHECKED BY :	DATE :	PART NO.	SEE TABLE
<p>UNIT: mm [inch]</p> <p>SCALE:1:1 SIZE: A4</p>	李毅	2015.08.18	MOLD NO.	
	APPROVED BY :	DATE :	DRAW NO.:	ZDJNKJ00002401
张少辉	2015.08.18	SHEET NO.	1 OF 1	



NOTES 2:

1. MATERIAL:
 - 1.1 REEL AND AXLE: PS,BLUE
 - 1.2 CARRIER TAPE: PET, LUCID
 - 1.3 COVER TAPE: PS,TRANSPARENT
 - 1.4 SHIPPING CARTON: CORRUGATED FIBER
2. DIMENSION:
 - 2.1 REEL: W=32.5, φA=380
 - 2.2 CARRIER TAPE: T=0.50 W=32.0
 - 2.3 COVER TAPE: T=0.05 W=25.5
 - 2.4 SHIPPING CARTON: L=386mm, W=386mm, H=425mm
3. QUANTITY :
 - 3.1 PRIMAY PACKING: 650 PCS/REEL
 - 3.2 SECONARY PACKING: 10 REELS/CARTON(6500 PCS/CARTON)
4. PEELING RESISTANCE: 0.1~1.3N
 - 4.1 PEELING SPEED: 300mm/minutes
 - 4.2 PEELING ANGLE: 165° ~180°

深圳市兆达鑫科技有限公司 Shenzhen Zhao Xin Technology Co., Ltd.			
TOLERANCE: X:XX ±0.30 X:XX ±0.20 X:XXX ±0.10 X:° ±10° X:° ±5°	DRAWN BY : 刘志强	DATE : 2015.08.18	PART NAME: TYPE-C24P短体立贴H6.5MM
UNIT: mm [inch] SCALE:1:1 SIZE: A4	CHECKED BY: 李毅	DATE : 2015.08.18	PART NO. SEE TABLE MOLD NO.
	APPROVED BY: 张少辉	DATE : 2015.08.18	DRAW NO: ZDJNKJ00002401 SHEET NO. 1 OF 1