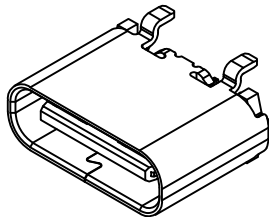


NOTES:

- MECHANICAL: MATING FORCE: 5-20N .
UNMATING FORCE: 8-20N .
DURABILITY: 10000 CYCLES MIN.
- ELECTRICAL:
CURRENT: 5.0A MAX
VOLTAGE: 20V MAX
WITHSTANDING VOLTAGE: 300V AC
CONTACT RESISTANCE: 40 m Ω MAX INITIAL;
50 m Ω MAX AFTER 10000 CYCLES
- ENVIRONMENTAL:
OPERATING TEMPERATURE RANGE $-30^{\circ}\text{C} \sim +80^{\circ}\text{C}$
- Salt Spray: 24H

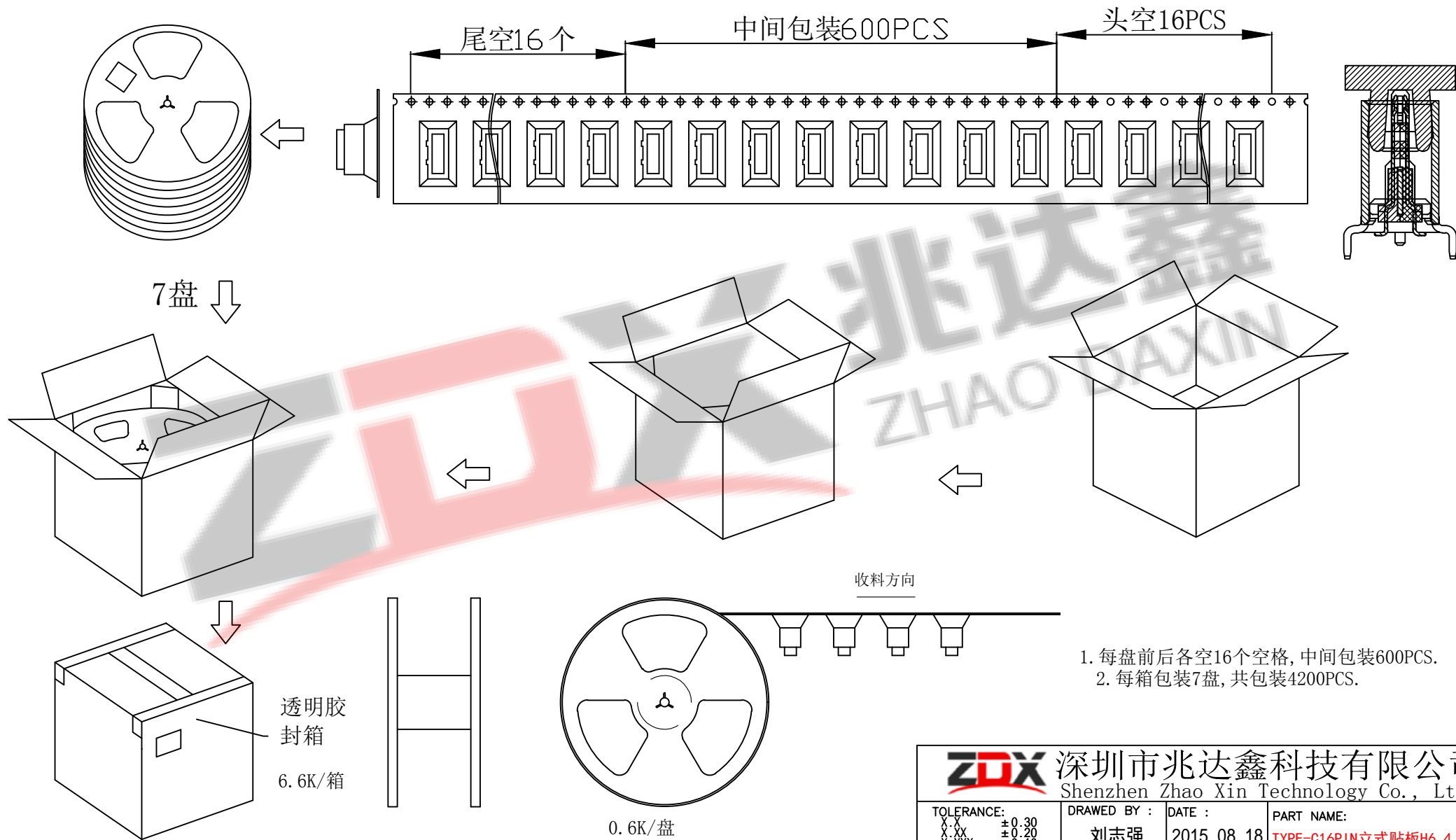
A1	GND	B12	GND
A4	VBUS	B9	VBUS
A5	CC1	B8	SBU2
A6	DP1	B7	DN2
A7	DN1	B6	DP2
A8	SBU1	B5	CC2
A9	VBUS	B4	VBUS
A12	GND	B1	GND
PIN	SIGNAL NAME	PIN	SIGNAL NAME



BOM		
序号	名称	材料规格
1	Terminal	C7025 TM02 T=0.15mm 电镀全 Au:GF Ni:50u"
2	Terminal	C7025 TM02 T=0.15mm 电镀金 Au:GF Ni:50u"
3	Molding 1	LCP+30%G.F黑色 UL94 V-0
4	Molding 2	LCP+30%G.F黑色 UL94 V-0
5	H00K	SUS301 3/4H T=0.15
6	Shell	SUS304 1/2H T=0.30mm Ni:50u"

ZDX 深圳市兆达鑫科技有限公司
Shenzhen Zhao Xin Technology Co., Ltd.

TOLERANCE: X.XX ± 0.30 X.XXX ± 0.20 X.XXX ± 0.10 X.X $\pm 10^{\circ}$ X.X $\pm 5^{\circ}$	DRAWN BY : 刘志强	DATE : 2015.08.18	PART NAME: TYPE-C16PIN立式贴板H6.4
UNIT: mm [inch]	CHECKED BY: 李文毅	DATE : 2015.08.18	PART NO. SEE TABLE
SCALE: 1:1 SIZE: A4	APPROVED BY: 张少辉	DATE : 2015.08.18	MOLD NO.
			DRAW NO: ZDJNKJ00001607
			SHEET NO. 1 OF 1



1. 每盘前后各空16个空格, 中间包装600PCS.
2. 每箱包装7盘, 共包装4200PCS.

深圳市兆达鑫科技有限公司 Shenzhen Zhao Xin Technology Co., Ltd.			
TOLERANCE: X.XX ±0.30 X.XXX ±0.20 X.XXX ±0.10 X.X ±0.10 X.X ±0.05 X.X ±0.05	DRAWN BY :	DATE :	PART NAME:
	刘志强	2015.08.18	TYPE-C16PIN立式贴板H6.4
 UNIT: mm [inch] SCALE: 1:1 SIZE: A4	CHECKED BY:	DATE :	PART NO. SEE TABLE
	李文毅	2015.08.18	MOLD NO.
	APPROVED BY:	DATE :	DRAW NO. ZDJNKJ00001607
	张少辉	2015.08.18	SHEET NO. 1 OF 1