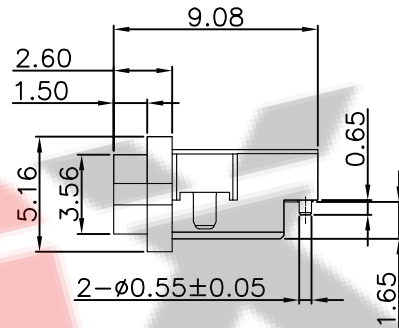
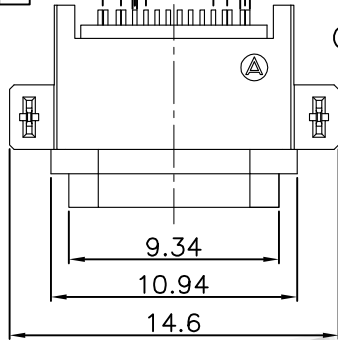


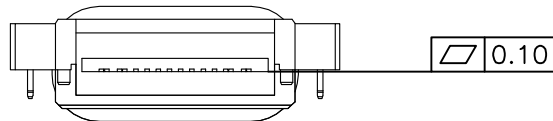
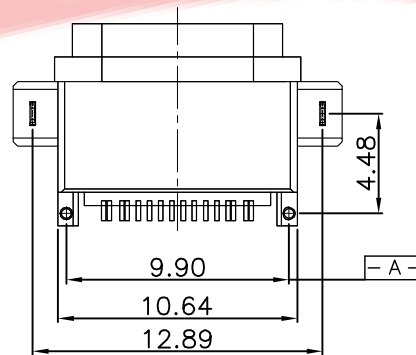
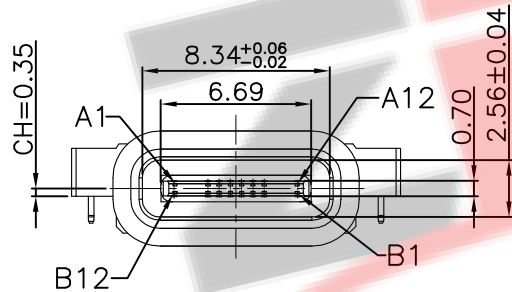
CAV NO.



NOTES:

SPECIFICATION:

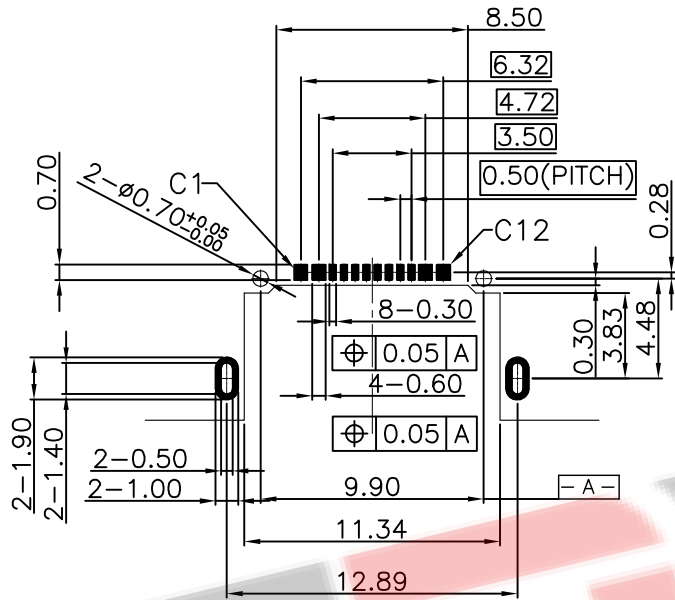
1. CURRENT RATING: 3.0A MAX
2. DIELECTRIC WITHSTAND VOLTAGE: 100VAC
3. TEMPERATURE RANGE: -30 °C ~ 85 °C
4. CONTACT RESISTANCE: 40 MILLIONHM MAX
5. INSULATION RESISTANCE: 100 MEGOHMS MIN.
6. INSERTION FORCE : 5N~20N
7. UNMATING FORCE: 8N~20N
8. DURABILITY:10,000 CYCLES



| ITEM | PART NAME | Q' TY | FINISH | NOTE |
|------|-----------|-------|---|------|
| 3 | Shell | 1 | PA9T (G.F30%) | |
| 2 | Contact | 5 | Phosphor bronze C5191R-EH Au/Ni Plating T=0.12mm | |
| 1 | Housing | 1 | LCP (G.F30%) | |

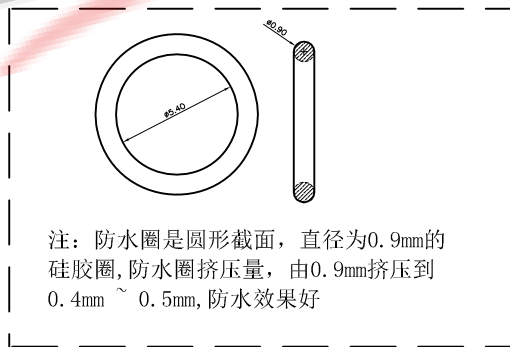
ZDX 深圳市兆达鑫科技有限公司
Shenzhen Zhao Xin Technology Co., Ltd.

| | | | |
|--|---------------------|----------------------|--|
| TOLERANCE: XXX ±0.30 X:XX ±0.20 X:XXX ±0.10 X:.. ±.10 X:.. ±.05 | DRAWN BY : 刘志强 | DATE : 2015.08.18 | PART NAME: TYPE-C 16P防水两脚沉板L9.08 |
| UNIT: mm [inch] SCALE:1:1 SIZE: A4 | CHECKED BY: 李毅 | DATE : 2015.08.18 | PART NO. SEE TABLE MOLD NO. |
| | APPROVED BY: 张少辉 | DATE : 2015.08.18 | DRAW NO: ZDHS1600FS082 SHEET NO. 1 OF 1 |

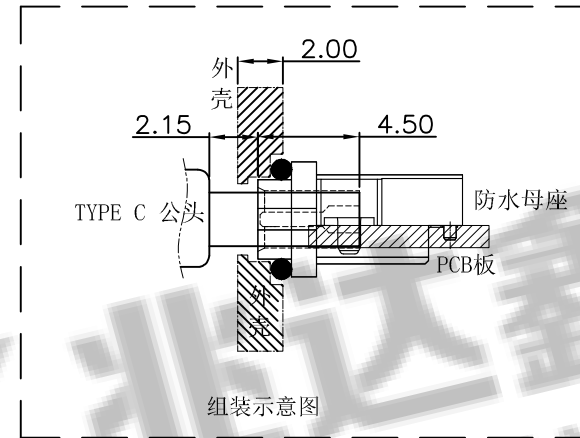


RECOMMENDED PCB LAYOUT(TOP VIEW)

THICKNESS T=1.0mm
DEFAULT TOLERANCE+/-0.05



注：防水圈是圆形截面，直径为0.9mm的硅胶圈，防水圈挤压量，由0.9mm挤压到0.4mm ~ 0.5mm，防水效果好



INTERFACE(FRONT VIEW)

| | | | | | | | | | | | |
|-----|-----|-----|------|------|-----|-----|------|------|-----|-----|-----|
| A1 | A2 | A3 | A4 | A5 | A6 | A7 | A8 | A9 | A10 | A11 | A12 |
| GND | | | VBUS | CC1 | DP1 | DN1 | SBU1 | VBUS | | | GND |
| GND | | | VBUS | SBU2 | DN2 | DP2 | CC2 | VBUS | | | GND |
| B12 | B11 | B10 | B9 | B8 | B7 | B6 | B5 | B4 | B3 | B2 | B1 |

PIN ASSIGNMENT

| | | | | | | | | | | | | |
|-------------|--------|-------|------|-----|-----|-----|-----|-----|------|-----|-------|--------|
| PIN NO. | A1&B12 | A4&B9 | B8 | A5 | B7 | A6 | A7 | B6 | A8 | B5 | A9&B4 | A12&B1 |
| SINGAL NAME | GND | VBUS | SBU2 | CC1 | DN2 | DP1 | DN1 | DP2 | SBU1 | CC2 | VBUS | GND |
| PCB PAD NO. | C1 | C2 | C3 | C4 | C5 | C6 | C7 | C8 | C9 | C10 | C11 | C12 |

ZDX 深圳市兆达鑫科技有限公司
Shenzhen Zhao Xin Technology Co., Ltd.

| | | | |
|---|---------------------|----------------------|-------------------------------------|
| TOLERANCE: XXX ±0.30 X:XX ±0.20 X:XXX ±0.10 X:° ±10° X:° ±5° | DRAWN BY : 刘志强 | DATE : 2015.08.18 | PART NAME: TYPE-C 16P防水两脚沉板L9.08 |
| UNIT: mm [inch] SCALE:1:1 SIZE: A4 | CHECKED BY: 李文毅 | DATE : 2015.08.18 | PART NO. SEE TABLE |
| | APPROVED BY: 张少辉 | DATE : 2015.08.18 | MOLD NO. |
| | | | DRAW NO: ZDHS1600FS082 |
| | | | SHEET NO. 1 OF 1 |