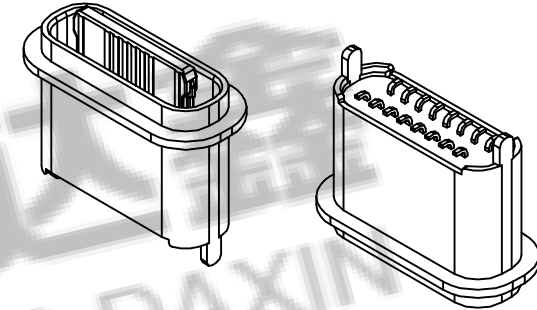
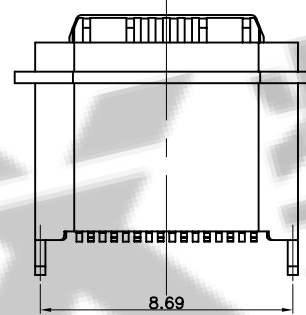
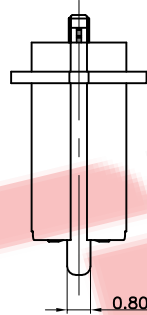
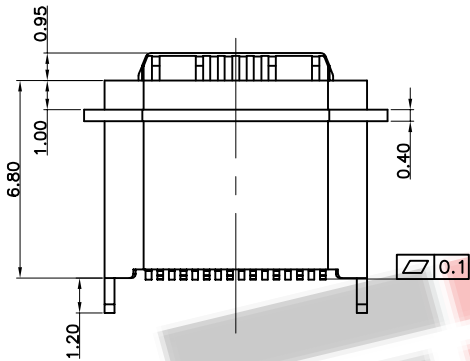
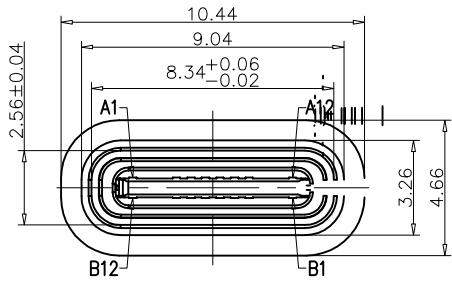


受控文件

http://www.szzdjmkj.com

TABLE:

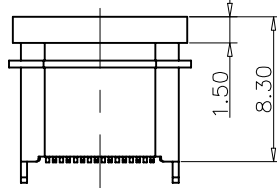
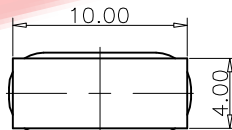
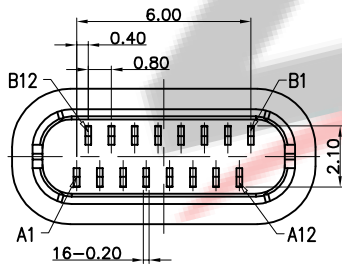
NO	PART	Q'TY	Material
1	SHELL	1	ZINC ALLOG,NI30u"Min PLATED
2	CONTACT	16	C7025,TIN80u"/Au3u"/NI30u"PLATED
3	MID PLATE	1	SUS301,NO PLATING
4	HOUSING	1	LCP(E130i) UL94 V-0 BLACK
5	CAP	1	LCP UL94 V-0 BLACK
6	WATERPROOF RING	1	SILICONE(SI/60-65A) UL94 V-0 BLACK



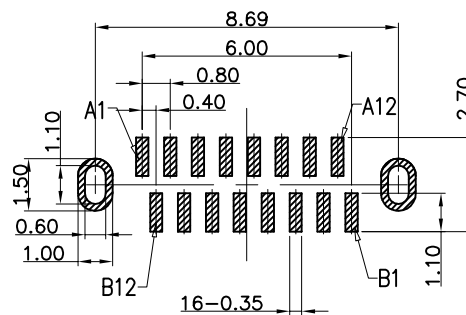
NOTES:

SPECIFICATION:

- CURRENT RATING: 3.0 A
- VOLTAGE RATING: 3.0 V
- VBUS & GND PINS AND OTHER PINS: 40mΩ/PIN MAX  
SHIELD: 50mΩ/MAX  
LLCR MAX. CHANGE OF ALL PINS: 10Ωm
- INSULATION RESISTANCE: 100MΩ MIN
- DIELECTRIC WITHSTAND VOLTAGE,AC 100V FOR 1MIN
- INSERTION FORCE: 0.5~2.0kgf
- UNMATING FORCE: 0.8-2.0kgf
- DURABILITY: 10000 CYCLES
- OPERATING TEMPERATURE: -35°C~+85°C
- THE PEAK TEMPERATURE ON THE BOARD SHALL BE MAINTAINED FOR 10 SECONDS AT 260°C
- WATERPROOF:IP-X8.



装前塞示意图



RECOMMEND P.C.B LAYOUT  
TOLERANCE UNSPECIFIED ±0.05mm

USB TYPE C PIN ASSIGNMENTS

PIN NUMBER	SIGNAL NAME	PIN NUMBER	SIGNAL NAME
A1	GND	B12	GND
A4	VBUS	B9	VBUS
A5	CC1	B8	SBU2
A6	DP1	B7	DN2
A7	DN1	B6	DP2
A8	SBU1	B5	CC2
A9	VBUS	B4	VBUS
A12	GND	B1	GND

**ZDX** 深圳市兆达鑫科技有限公司  
Shenzhen Zhao Xin Technology Co., Ltd.

<p>TOLERANCE:</p> <p>XXX ±0.30</p> <p>XX ±0.20</p> <p>X:XXX ±0.10</p> <p>X: ±10°</p> <p>±5°</p> <p>UNIT: mm [inch]</p> <p>SCALE:1:1 SIZE: A4</p>	<p>DRAWN BY: 刘志强</p> <p>DATE: 2015.08.18</p>	<p>DATE: 2015.08.18</p> <p>PART NAME: TYPE-C16P防水立贴 H6.8粉末冶金舌头外露0.95</p>
	<p>CHECKED BY: 李毅</p> <p>DATE: 2015.08.18</p>	<p>PART NO. SEE TABLE</p> <p>MOLD NO.</p>
	<p>APPROVED BY: 张少辉</p> <p>DATE: 2015.08.18</p>	<p>DRAW NO: ZDHS0600PS265</p> <p>SHEET NO. 1 OF 1</p>