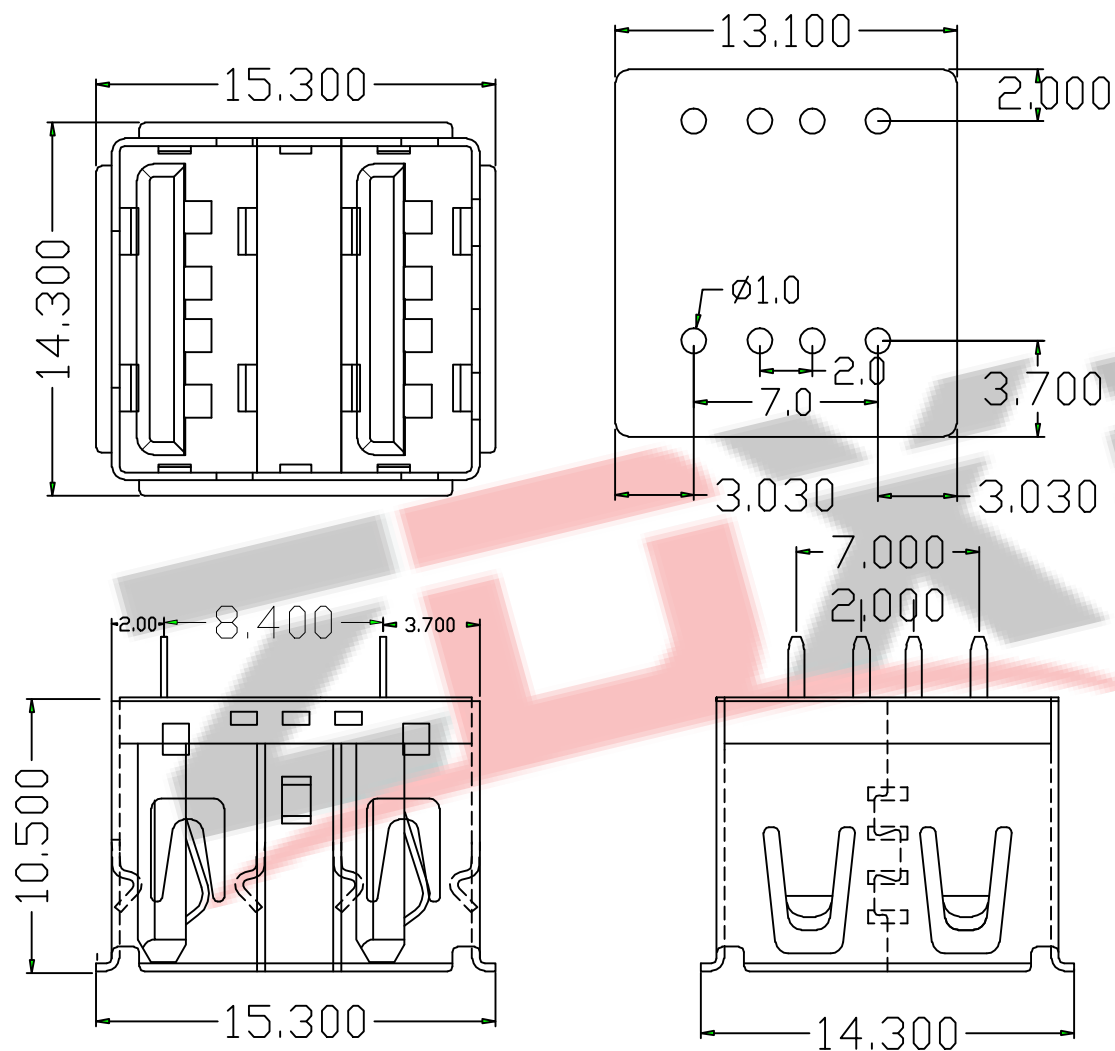


NOTES:

- Housing: Thermoplastics,UL94V-0
- Contact: Copper Alloy
- Shell: Copper Alloy/Steel
- Voltage Current Rating:1.5 AMP. 30V AC
- Insulation Resistance:1000MΩ Min.
- Contact Resistance:30 MΩ Max.
- Dielectric Withstanding Voltage:500W AC
- Temperature Range:-35℃ to +85℃
- Insulator color: Black/White
- Plastic material:PBT/LCP/Others
- Shell finish:Nickel plated/Tin-Lead plated
- Mechanical:
- Mating Force:3.5KG MAX
- Unmating Force:1.02 KG MIN.
- Contact finish:
- 01: Selective Gold Flash
- 02: Selective Gold 3U"
- 03: Selective Gold 5U"
- 04: Selective Gold 15U"
- 05: Selective Gold 30U"



深圳市兆达鑫科技有限公司 Shenzhen Zhao Xin Technology Co., Ltd.			
TOLERANCE: X.XX ±0.30 X.XXX ±0.20 X.XXX ±0.10 X.X° ±10° X.X° ±5°	DRAWN BY :	DATE :	PART NAME:
	刘志强	2015.08.18	双层直插10.5卷边无脚
 UNIT: mm [inch] SCALE:1:1 SIZE: A4	CHECKED BY:	DATE :	PART NO. SEE TABLE
	李毅	2015.08.18	MOLD NO.
	APPROVED BY:	DATE :	DRAW NO: ZDXAFUSB20513
	张少辉	2015.08.18	SHEET NO. 1 OF 1