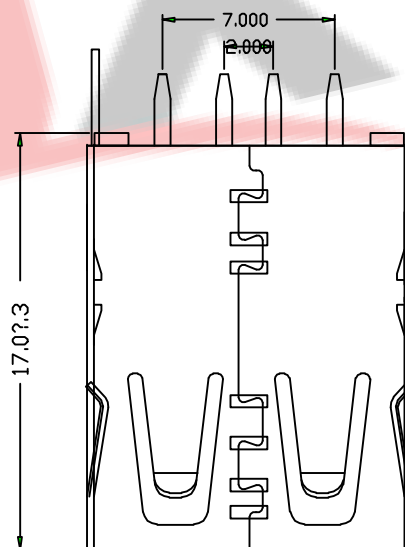
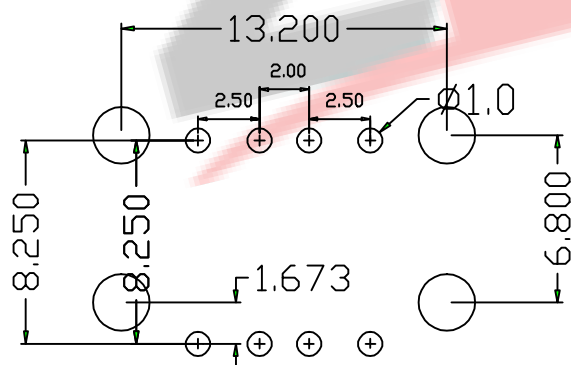
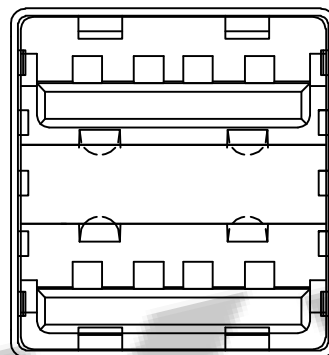
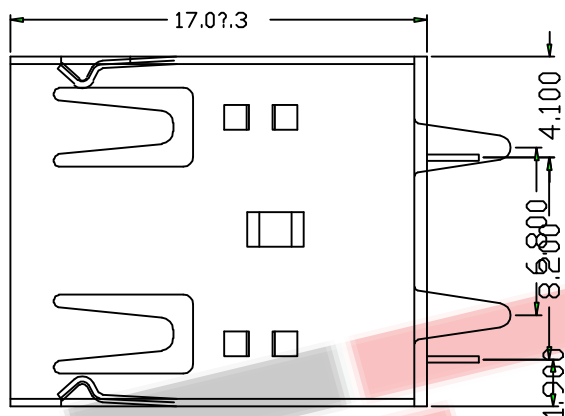


直脚直边



NOTES:

Housing: Thermoplastics,UL94V-0

Contact: Copper Alloy

Shell: Copper Alloy/Steel

Voltage Current Rating:1.5 AMP. 30V AC

Insulation Resistance:1000MΩ Min.

Contact Resistance:30 MΩ Max.

Dielectric Withstanding Voltage:500W AC

Temperature Range:-35℃ to +85℃

Insulator color: Black/White

Plastic material:PBT/LCP/Others

Shell finish:Nickel plated/Tin-Lead plated

Mechanical:

Mating Force:3.5KG MAX

Unmating Force:1.02 KG MIN.

Contact finish:

01: Selective Gold Flash

02: Selective Gold 3U"

03: Selective Gold 5U"

04: Selective Gold 15U"

05: Selective Gold 30U"

ZDX 深圳市兆达鑫科技有限公司
Shenzhen Zhao Xin Technology Co., Ltd.

TOLERANCE: X.XX ±0.30 X.XXX ±0.20 X.XXX ±0.10 X.X ±0.10 X.X ±0.05 X.X ±0.05	DRAWN BY :	DATE :	PART NAME:	
	刘志强	2015.08.18	双层直插17.0直边直脚	
UNIT: mm [inch] SCALE:1:1 SIZE: A4	CHECKED BY:	DATE :	PART NO.	SEE TABLE
	李毅	2015.08.18	MOLD NO.	
	APPROVED BY:	DATE :	DRAW NO:	ZDXAFUSB20594
	张少辉	2015.08.18	SHEET NO.	1 OF 1