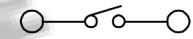


- Typical Specifications :
1. Rating : DC 12V 50mA
  2. Insulation resistance:  $\geq 100M\Omega$
  3. Withstand voltage: AC 500V/1min
  4. Life:100,000 Cycles Min.

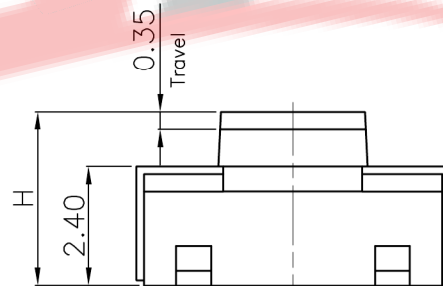
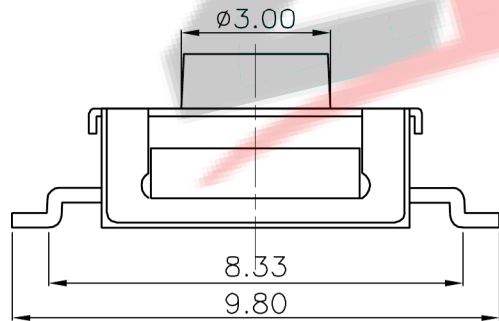


Circuit Diagram

NO.1	
PART NO	H
D	3.5
F	5

NO.2	
PART NO	vigor
1	180±30
2	250±30
3	350±50

NO.3-NO.4	
PART NO	NOTE
01~99	SERIAL NUMBER



⑤	Terminal	—	4	Phosphor Bronze	Plating silver	—
④	Contact	—	1	F.Ag/C5210	—	—
③	Base	—	1	PA46	Black	—
②	Cover	—	1	SPCC	Plating Sn	—
①	Keystoke	—	1	PA46	White	—
ITEM	PART NAME	TER'NO.	QTY.	MATERIAL	FINISHING	REMARK

APPROVALS			DATE		ZDX 深圳市兆达鑫科技有限公司 Shenzhen Zhao Xin Technology Co., Ltd.	
DRAWN	刘志强		2015.08.18		TITLE:	TACT SWITCHS
CHECKED	李文毅		2015.08.18		PART NO.	6.2*6.2硅胶
APPROVALS	张少辉		2015.08.18			
TOLERANCES ARE		30~以下	±0.30	ANGLE	UNIT: mm	SCALE: 1:1
		10~30	±0.20			
		5~10	±0.15			
		~ 5	±0.10			
			±2'		DRAWING NO.	
						PROJ:
						SHEET 1 OF 1

ECN NO.	REV.	DATE.	DESCRIPTION.	CHANGE.	CHECK.	APPRO.
	A		NEW			