

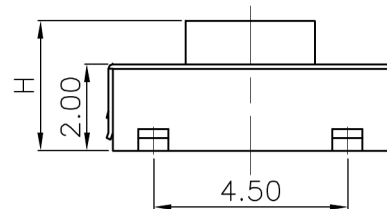
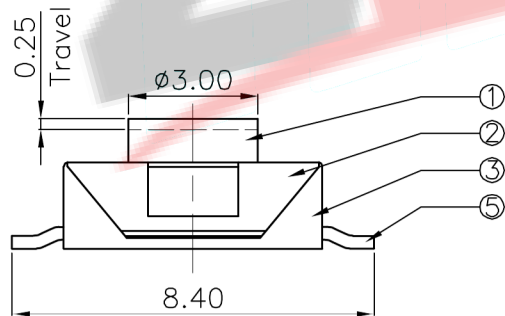
Circuit Diagram

NO.1	
PART NO	H
B	2.5
C	3.1
D	3.4
E	5.5

NO.3	
PART NO	MATERIAL/QTY
S	SUS/1PC
C	C5210/1PC
D	SUS/2PCS
F	C5210/2PCS

NO.2	
PART NO	vigor
1	90±30
2	130±30
3	180±30
4	250±30
5	350±50

NO.4-NO.5	
PART NO	NOTE
01~99	SERIAL NUMBER



⑤	Terminal	—	4	Copper(0.3t)	Plating silver	—
④	Contact	—	1	F.Ag/C5210	Natural	—
③	Base	—	1	Nylon	Black	—
②	Cover	—	1	Brass(0.15t)	Plating Nickel	—
①	Keystoke	—	1	Nylon	Red	—
ITEM	PART NAME	TER'NO.	QTY.	MATERIAL	FINISHING	REMARK

APPROVALS			DATE	
DRAWN	刘志强		2015.08.18	
CHECKED	李文毅		2015.08.18	TITLE: TACT SWITCHS
APPROVALS	张少辉		2015.08.18	PART NO. 6.2*6.2四脚SMT
TOLERANCES ARE	30~以下 ±0.30 10~30 ±0.20 5~10 ±0.15 ~5 ±0.10	ANGLE	±2'	UNIT: mm SCALE: 1:1
ECN NO.	REV.	DATE.	DESCRIPTION.	CHANGE. CHECK. APPRO.

**ZDX** 深圳市兆达鑫科技有限公司  
Shenzhen Zhao Xin Technology Co., Ltd.