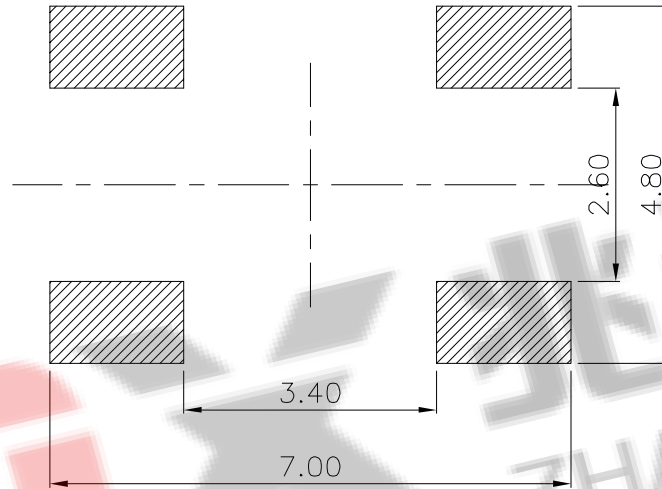
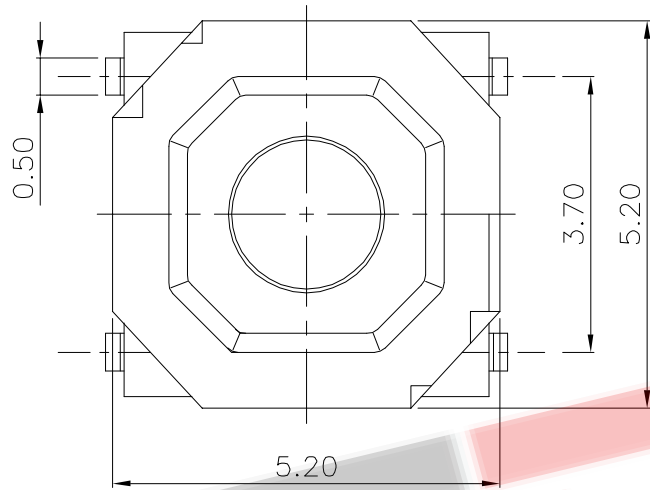
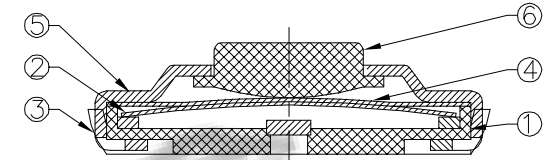


Circuit Diagram

- Typical Specifications :
1. Rating : DC 12V 50mA
 2. Life:100,000 Cycles Min.



PCB Layout(Pattern side)

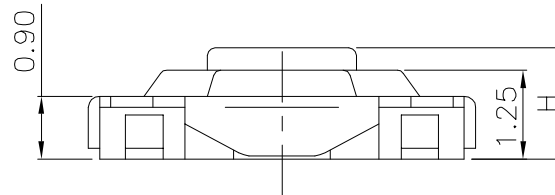
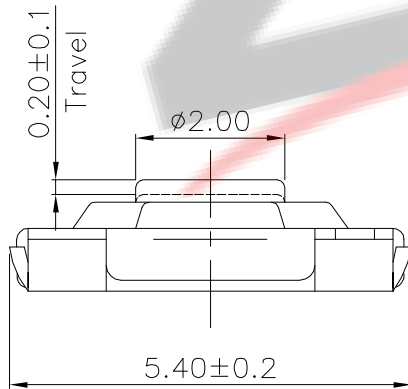


NO.1	
PART NO	H
A	1.50
B	1.60
C	1.70
D	2.0
E	2.50
F	3.00
G	4.30

NO.2	
PART NO	vigor
1	90±30
2	130±30
3	180±30
4	250±30
5	350±50

NO.3	
PART NO	MATERIAL/QTY.
S	SUS/1PC
D	SUS/2PCS

NO.4-NO.5	
PART NO	NOTE
01~99	SERIAL NUMBER



⑥	Knob	—	1	Brass	Yellow	—
⑤	Cover	—	1	SUS	Natural	—
④	Dust Cover	—	1	Kapton Film	Yellow	—
③	Terminal	—	4	Phosphor Bronze	Plating silver	—
②	Contact	—	1	F.Ag/SUS	Natural	—
①	Base	—	1	Nylon	Black	—
ITEM	PART NAME	TER'NO.	QTY.	MATERIAL	FINISHING	REMARK

APPROVALS		DATE		ZDX 深圳市兆达鑫科技有限公司 Shenzhen Zhao Xin Technology Co., Ltd.		
DRAWN	刘志强	2015.08.18		TITLE:	TACT SWITCHS	
CHECKED	李文毅	2015.08.18		PART NO.	4*4* (1.5-5) 包脚	
APPROVALS	张少辉	2015.08.18		UNIT: mm	SCALE: 1:1	PROJ:
TOLERANCES ARE	30~以上	±0.30	ANGLE	DRAWING NO.	SHEET	1 OF 1
	10~30	±0.20				
	5~10	±0.15	±2'			
	~ 5	±0.10				

ECN NO.	REV.	DATE.	DESCRIPTION.	CHANGE.	CHECK.	APPRO.
	A		NEW			