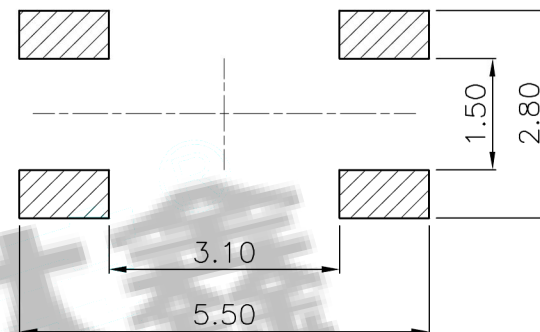
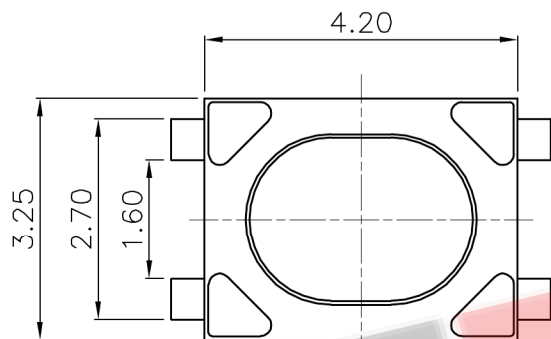
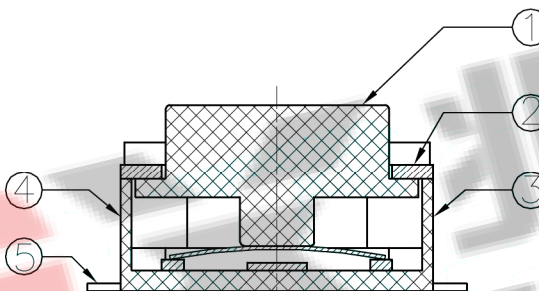


Circuit diagram



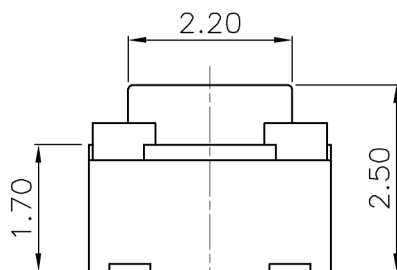
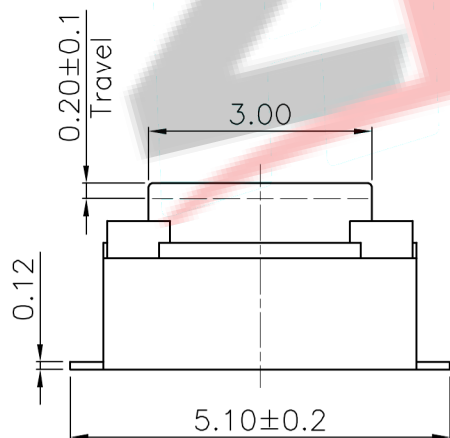
PCB Layout (Pattern Side)



NO.1	
PART NO	VIGOR
1	90±30
3	180±30
4	250±30

NO.2	
PART NO	MATERIAL/QTY
S	SUS/1PCS
D	SUS/2PCS

NO.3-NO.4	
PART NO	NOTE
01~99	SERIAL NUMBER



ITEM	PART NAME	TER'NO.	QTY.	MATERIAL	FINISHING	REMARK
⑤	Terminal	—	4	Phosphor Bronze	Plating silver	—
④	Contact	—	1	F.Ag/SUS	Plating silver	—
③	Base	—	1	LCP	White	—
②	Cover	—	1	SUS	Natural	—
①	Keystoke	—	1	LCP	White	—

APPROVALS			DATE			
DRAWN	刘志强	2015.08.18	深圳市兆达鑫科技有限公司 Shenzhen Zhao Xin Technology Co., Ltd.			
CHECKED	李文毅	2015.08.18				
APPROVALS	张少辉	2015.08.18				
TOLERANCES ARE			ANGLE	UNIT: mm	SCALE: 1:1	PROJ:
30~以上 ±0.30			±2'	DRAWING NO.	—	SHEET 1 OF 1
10~30 ±0.20						
5~10 ±0.15						
~ 5 ±0.10						

ECN NO.	REV.	DATE.	DESCRIPTION.	CHANGE.	CHECK.	APPRO.
—	A	—	NEW	—	—	—