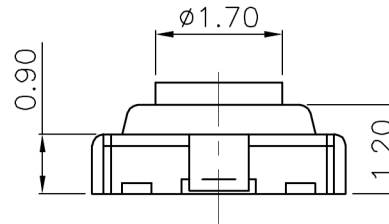
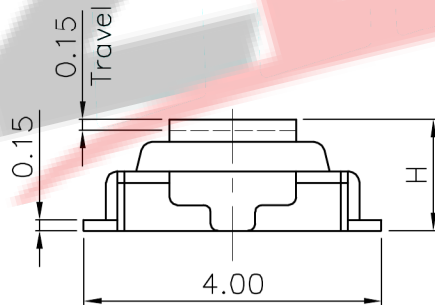
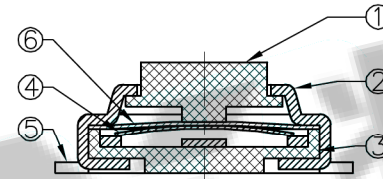
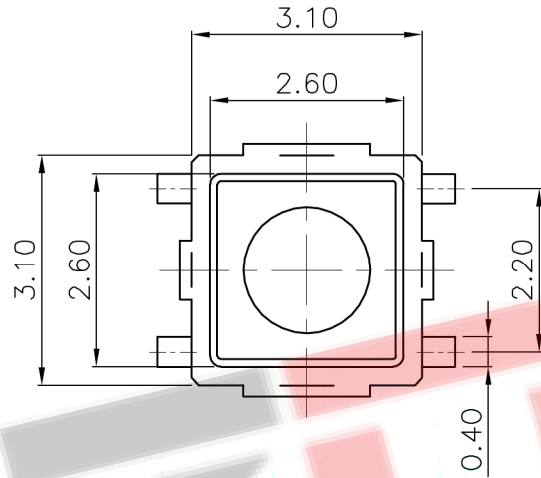


PCB Layout(Pattern side)



NO.1

PART NO	H
A	1.5
D	2.0

NO.2

PART NO	vigor
1	90±30
2	130±30
3	180±30
4	250±30
5	350±50

NO.3

PART NO	MATERIAL/QTY
S	SUS/1PC
D	SUS/2PCS

NO.4-NO.5

PART NO	NOTE
01~99	SERIAL NUMBER

⑥	Dust Cover	—	1	Kapton Film	Yellow	—
⑤	Terminal	—	4	Phosphor Bronze	Plating silver	—
④	Contact	—	1	F.Ag/SUS	Natural	—
③	Base	—	1	Nylon	Black	—
②	Cover	—	1	SPCC	Natural	—
①	Keystoke	—	1	Nylon	White	—
ITEM	PART NAME	TER'NO.	QTY.	MATERIAL	FINISHING	REMARK

APPROVALS			DATE		ZDX 深圳市兆达鑫科技有限公司 Shenzhen Zhao Xin Technology Co., Ltd.	
DRAWN	刘志强	2015.08.18	TITLE:	TACT SWITCHES		
CHECKED	李文毅	2015.08.18	PART NO.	3X3X1.5 (SMT)		
APPROVALS	张少辉	2015.08.18	TOLERANCES ARE	30~以下: ±0.30 10~30: ±0.20 5~10: ±0.15 ~ 5: ±0.10	ANGLE	±2'
UNIT:	mm	SCALE:	1:1	PROJ:		
DRAWING NO.	—	SHEET	1 OF 1			

ECN NO.	REV.	DATE.	DESCRIPTION.	CHANGE.	CHECK.	APPRO.
—	A	—	NEW	—	—	—