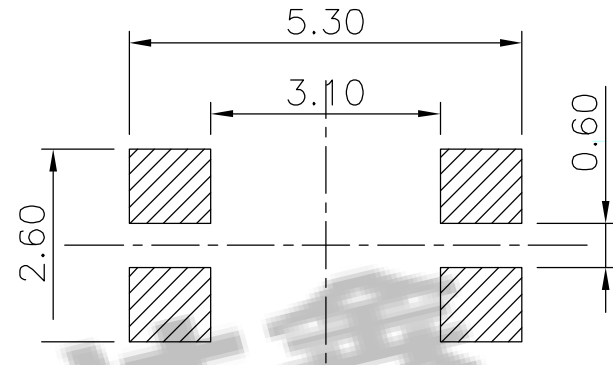
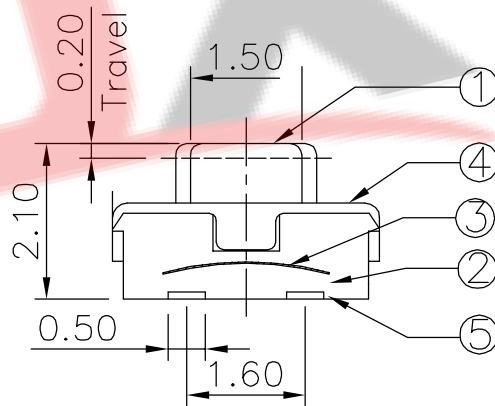
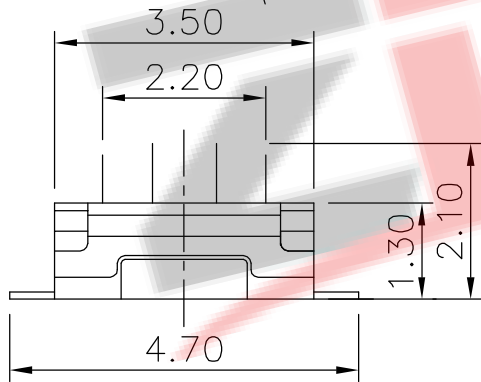


Circuit diagram



PCB Layout recommended



NOTE:
 Rating: DC 12V 50mA
 Lifetime: 100,000 Cycles
 Packaging: 3000pcs/Reel



NO.1	
PART NO	vigor
2	130±30
3	160±30
4	250±30

NO.2-NO.3	
PART NO	NOTE
01~99	SERIAL NUMBER

⑤	Terminal	—	4	Phosphor Bronze	Ag-PLATED	—
④	Shell	—	1	SUS	Natural	—
③	Contact	—	1	SUS	Ag-PLATED	—
②	Base	—	1	Nylon	Black	—
①	Keystoke	—	1	Nylon	Black	—
ITEM	PART NAME	TER'NO.	QTY.	MATERIAL	FINISHING	REMARK

APPROVALS			DATE		ZDX 深圳市兆达鑫科技有限公司 Shenzhen Zhao Xin Technology Co., Ltd.	
DRAWN	刘志强	2015.08.18	TITLE:	TACT SWITCHS		
CHECKED	李文毅	2015.08.18	PART NO.	3X3. 5X2. 1MM梅花柄		
APPROVALS	张少辉	2015.08.18	UNIT: mm	SCALE: 1:1	PROJ:	④
TOLERANCES ARE		30~以上 ±0.30	ANGLE	UNIT: mm	SCALE: 1:1	PROJ: ④
		10~30 ±0.20	±2'	DRAWING NO.	—	SHEET 1 OF 1
		5~10 ±0.15				
		~ 5 ±0.10				

ECN NO.	REV.	DATE.	DESCRIPTION.	CHANGE.	CHECK.	APPRO.
—	A	—	NEW	—	—	—