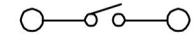
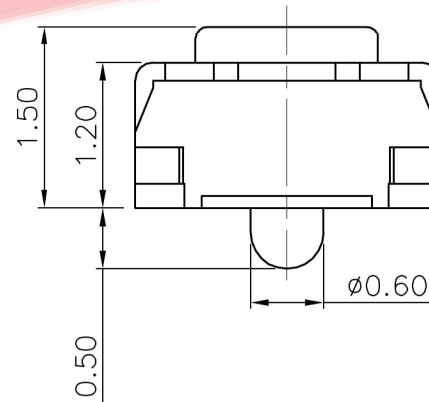
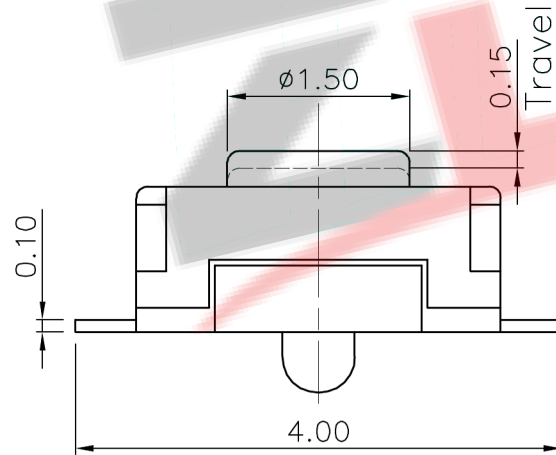


PCB Layout

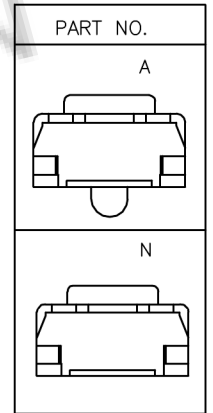


Circuit Diagram



| NO.1 | |
|---------|--------|
| PART NO | vigor |
| 1 | 90±30 |
| 2 | 130±30 |
| 3 | 180±30 |
| 4 | 250±30 |
| 5 | 350±50 |

| NO.2-NO.3 | |
|-----------|---------------|
| PART NO | NOTE |
| 01~99 | SERIAL NUMBER |



| ⑥ | Dust cover | — | 1 | KAPTON FILM | — | — |
|------|------------|---------|------|-----------------|----------------|--------|
| ⑤ | Terminal | — | 2 | Phosphor Bronze | Plating silver | — |
| ④ | Contact | — | 1 | F.Ag/SUS | — | — |
| ③ | Base | — | 1 | LCP | White | — |
| ② | Cover | — | 1 | SUS | — | — |
| ① | Keystoke | — | 1 | LCP | Black | — |
| ITEM | PART NAME | TER'NO. | QTY. | MATERIAL | FINISHING | REMARK |

| APPROVALS | | | DATE | | ZDX 深圳市兆达鑫科技有限公司 Shenzhen Zhao Xin Technology Co., Ltd. | |
|-----------|------|------------|----------------|---|--|---------------------------|
| DRAWN | 刘志强 | 2015.08.18 | TITLE: | TACT SWITCHES | | |
| CHECKED | 李文毅 | 2015.08.18 | PART NO. | 2.5X3X1.5MM (SMT) | | |
| APPROVALS | 张少辉 | 2015.08.18 | TOLERANCES ARE | 30~以上 ±0.30 10~30 ±0.20 5~10 ±0.15 ~ 5 ±0.10 | ANGLE ±2' | UNIT: mm SCALE: 1:1 PROJ: |
| ECN NO. | REV. | DATE. | DESCRIPTION. | CHANGE. | CHECK. | APPRO. |

| ECN NO. | REV. | DATE. | DESCRIPTION. | CHANGE. | CHECK. | APPRO. |
|---------|------|-------|--------------|---------|--------|--------|
| — | A | — | NEW | — | — | — |