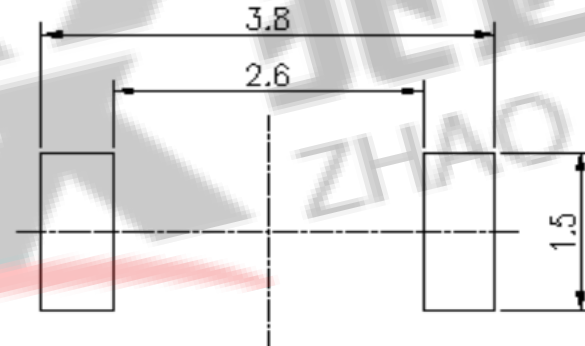


CIRCUIT DIAGRAM

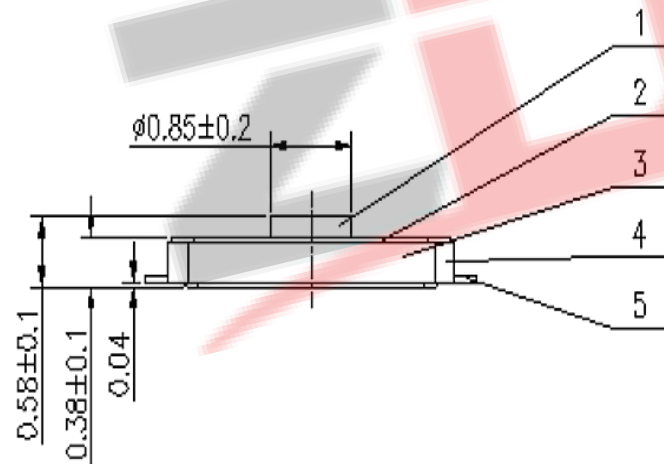
NO.1	
PART NO	vigor
2	100±30
3	180±30
4	250±30

NO.2	
PART NO	MATERIAL/QTY
S	SUS/1PC
D	SUS/2PCS

NO.3—NO.4	
PART NO	NOTE
01~99	SERIAL NUMBER



Soldering pads for reflow soldering



- Typical Specifications :
1. Rating : DC 12V 50mA
  2. Travel:  $0.15 \pm 0.05$ mm
  3. Operating force:  
100gf, 180gf, 250gf
  4. Life: 100,000 Cycles Min.

④	Dust cover	—	1	KAPTON FILM	Yellow	—
③	Terminal	—	2	Phosphor Bronze	Plating silver	—
②	Contact	—	2	F.Ag/SUS	Plating silver	—
①	Base	—	1	Nylon	Black	—
ITEM	PART NAME	TER'NO.	QTY.	MATERIAL	FINISHING	REMARK

APPROVALS			DATE		深圳市兆达鑫科技有限公司 Shenzhen Zhao Xin Technology Co., Ltd.	
DRAWN	刘志强	2015.08.18				
CHECKED	李文毅	2015.08.18	TITLE:	TACT SWITCHES		
APPROVALS	张少辉	2015.08.18	PART NO.	2X3X0.58二脚SMT		
TOLERANCES ARE		30~以上	±0.30	ANGLE	UNIT: mm	SCALE: 1:1
		10~30	±0.20			
		5~10	±0.15			
		~ 5	±0.10			
			±2'	DRAWING NO.	SHEET 1 OF 1	

ECN NO.	REV.	DATE.	DESCRIPTION.	CHANGE.	CHECK.	APPRO.
—	A	—	NEW	—	—	—