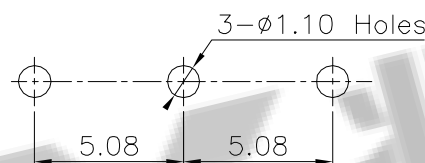
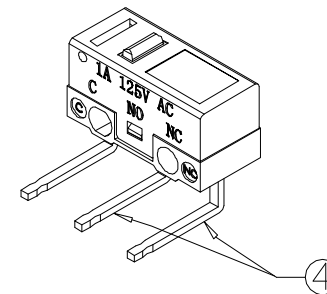
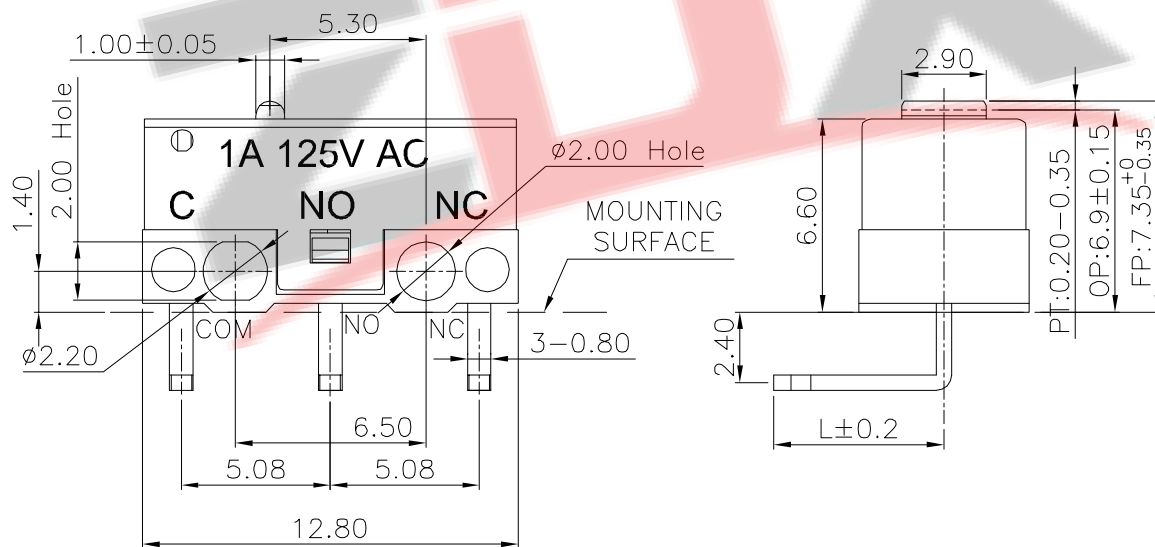
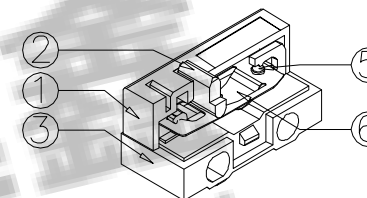


Circuit Diagram



P.C.B layout



NOTE:

1. Rating: DC30V 0.1A
2. OP: 6.90±0.15
3. Operating force: 80±15gf
4. Mechanical Life: 3,000,000

⑥	Shrapnel	—	1	Beryllium Copper	—	—
⑤	Contact	—	1	Ag	—	—
④	Terminal	—	3	Brass(0.52t)	Plating silver	—
③	Housing	—	1	PBT	White	—
②	Knob	—	1	POM	White	—
①	Cover	—	1	PBT	Black	—
ITEM	PART NAME	TER'NO.	QTY.	MATERIAL	FINISHING	REMARK

APPROVALS		DATE	深圳市兆达鑫科技有限公司 Shenzhen Zhao Xin Technology Co., Ltd.			
DRAWN	刘志强	2015.08.18				
CHECKED	李文毅	2015.08.18	TITLE:	MICRO SWITCHES		
APPROVALS	张少辉	2015.08.18	PART NO.	MX-1381-A		
TOLERANCES ARE			30~以下 ±0.30	ANGLE	UNIT: mm	SCALE: 1:1
			10~30 ±0.20	±2'	DRAWING NO.	PROJ:
			5~10 ±0.15			
			~ 5 ±0.10	SHEET 1 OF 1		

_____	A	_____	NEW	_____	_____	_____
ECN NO.	REV.	DATE.	DESCRIPTION.	CHANGE.	CHECK.	APPRO.